

## Modular Cooking - Amicus

### Electric - Wok Induction

#### NEWI 4-60 1AM



Due to continuous technical development, the image shown may not represent the latest design of the unit.

#### DESCRIPTION

Table top electric wok induction with 3.5 kW coil induction.

Usable for wok sauteeing, boiling, simmering and shallow frying.

Made of AISI 304 with 1.2 mm top thickness, equipped with Modulating power control, curved 5 mm wok glass with collar protection for better durability.

#### OTHER AVAILABLE MODELS

- NEFI 4-60 1AM

#### MAIN FEATURES

- Powered with 3.5 kW induction coil
- Controlled with gradual 9 power level and timer function. Completed with LED indicator.
- Induction coil with 120 mm diameter
- Glass diameter of 290 mm.
- Induction generator is cooled with the filter system underneath.
- Thermal-cut off when overheated.

#### CONSTRUCTION

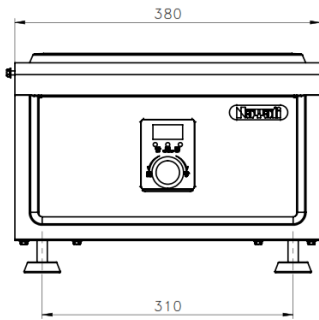
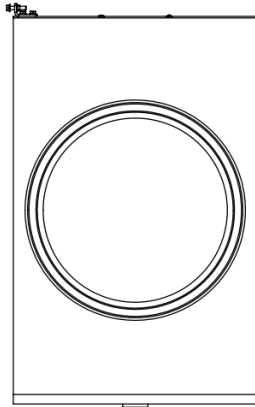
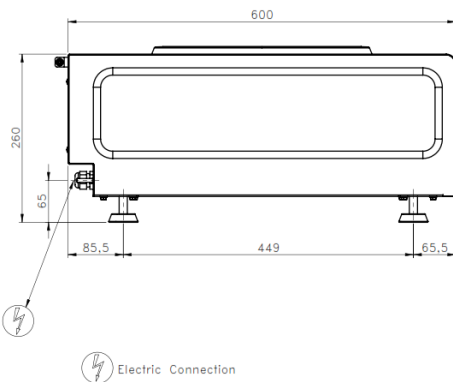
- External construction entirely with AISI 304.
- Top panel with 1.2 mm thickness. Orbital surface finishing: resistant toward scratches.
- Side panel with 1.2 mm deep-drawn surface.
- Front panel with 0.8 mm deep-drawn surface.
- Top panel with Orbital scratch-preventing finish.
- Rubber leg with 40 mm height
- Connector between Amicus product on the back.
- IPX4 water protection level.

#### INCLUDED ACCESSORIES

- Power cable, H07RN-F (3x 2.5 mm).
- Amicus joining clip.
- Wok made of Stainless Steel 409.

#### OPTIONAL ACCESSORIES

- Ferritic wok.

**FRONT****TOP****SIDE**

\*Overall dimension in mm

**TECHNICAL DATA****External Dimensions**

Width	: 380 mm
Depth	: 600 mm
Height	: 260 mm

**Cooking Surface**

Cooking zones	: Ø 290 mm
Heating zones	: 1
Control type	: Modulating power control

**Electrical Supply Data**

Total connected load	: 3.5 kW
Voltage	: 230V, 1NPE AC / 50-60 Hz
Recommended fuse	: 20 A (slow)

**Connections**

Water	: N/A
Drain	: N/A

**Heat & Steam Emissions**

Direct heat emission	: 0.7 kW
Latent heat emission	: 0.28 kW
Steam emission	: 0.41 kg/h

**PACKAGING DATA**

Width	: 410 mm
Depth	: 630 mm
Height	: 380 mm
Volume	: 0.10 m <sup>3</sup>

**WEIGHT**

Net Weight	: 18 kg
Gross Weight	: 22 kg