

Modular Cooking - Amicus

Electric - Fryer

NEFC 4-60 AM



Due to continuous technical development, the image shown may not represent the latest design of the unit.

DESCRIPTION

Table top electric fryer counter with 600 mm depth and 6 kW rod heater.

Usable for deep frying

Made of AISI 304 with 1.2 mm top thickness, temperature control, includes drain valve on the front surface, rod heater that can be tilted for access of cleaning of the tank.

OTHER AVAILABLE MODELS

- N/A

MAIN FEATURES

- Powered with 6 kW AISI heater
- Heater can be tilted for access of cleaning of the tank.
- Oil capacity of 8 liters
- Fully welded fryer tank.
- Drain valve with 3/4" on the front surface provided.
- Thermal-cut off when overheated.

CONSTRUCTION

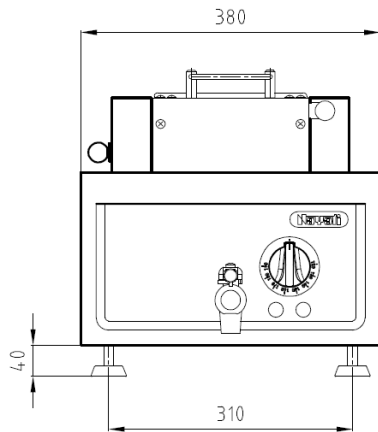
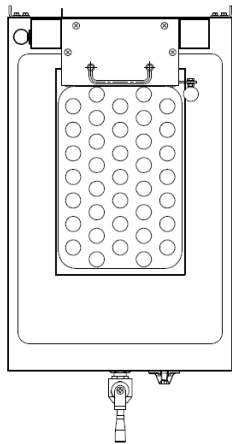
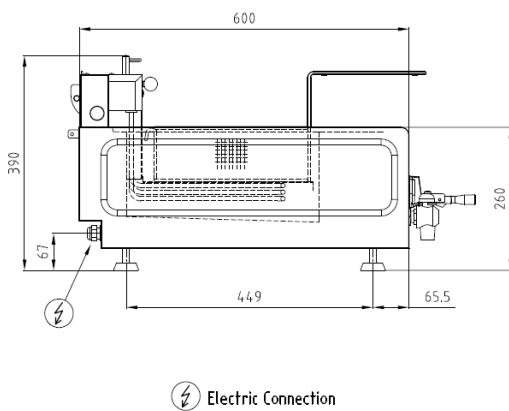
- External construction entirely with AISI 304.
- Top panel with 1.2 mm thickness. Orbital surface finishing: resistant toward scratches.
- Side panel with 1.2 mm deep-drawn surface.
- Front panel with 0.8 mm deep-drawn surface.
- Top panel with Orbital scratch-preventing finish.
- Rubber leg with 40 mm height
- Connector between Amicus product on the back.
- IPX4 water protection level.

INCLUDED ACCESSORIES

- Fryer basket 190 x 280 x 100 mm.
- Tank cover and basket holder.
- Power cable, H07RN-F (5 x 2.5 mm).
- Amicus joining clip.
- Oil drain 3/4".

OPTIONAL ACCESSORIES

- N/A

FRONT**TOP****SIDE**

*Overall dimension in mm

TECHNICAL DATA**External Dimensions**

Width	: 380 mm
Depth	: 600 mm
Height	: 260/390 mm

Cooking Surface

Cooking zones	: 8 liters, 220 x 320 mm
Heating zones	: 1
Control type	: Modulating temperature control

Electrical Supply Data

Total connected load	: 6 kW
Voltage	: 400V, 3NPE AC /50-60Hz
Recommended fuse	: 10 A (slow)

Connections

Water	: N/A
Drain	: N/A

Heat & Steam Emissions

Direct heat emission	: 0.54 kW
Latent heat emission	: 4.2 kW
Steam emission	: 6.18 kg/h

PACKAGING DATA

Width	: 410 mm
Depth	: 630 mm
Height	: 510 mm
Volume	: 0.13 m ³

WEIGHT

Net Weight	: 20 kg
Gross Weight	: 24 kg