

Modular Cooking - Meritus

Electric - Tilting Pan

NETP 8-75 (ME)



Due to continuous technical development, the image shown may not represent the latest design of the unit.

DESCRIPTION

Modular electric tilting braising pan with 750 mm depth, powered with 10 kW SSS heating element.

Usable for multitude application: boiling, steaming, frying, braising and simmering.

Made of AISI 304 with 1.5 mm top thickness, griddle is made of 10 mm thick AISI 420, knife steel, that prevent rust and deliver good thermal conductivity. Manual tilting operation.

OTHER AVAILABLE MODELS

- N/A

MAIN FEATURES

- Powered with 7.8 kW SSS heaters.
- Capacity up to 40 liters.
- Motorized tilting for ease of operation. Operating at low speed for stable transfer of food to the pan.
- Welded AISI griddle AISI 420 with thickness of 20 mm, preventing rust.
- Temperature control from 100 to 300 degree Celcius.

CONSTRUCTION

- External construction entirely with AISI 304.
- Top panel with 1.5 mm thickness. Orbital surface finishing: resistant toward scratches.
- Front panel is constructed of 0.8 mm AISI 304 with satin surface finish.
- Side panel is constructed of 0.8 mm AISI 304 with satin surface finish.
- Adjustable +/- 25 mm AISI leg.
- Nayati connection system between Meritus products on the front panels, cabinets, and splashbacks.
- Cabinet executed with H2 radius.
- Deep drawn front panel to minimize liquid penetration to the internal part.
- Gasket protection behind the knobs to prevent water to seeping in, prolonging main heating regulation parts.
- IPX5 water protection level.

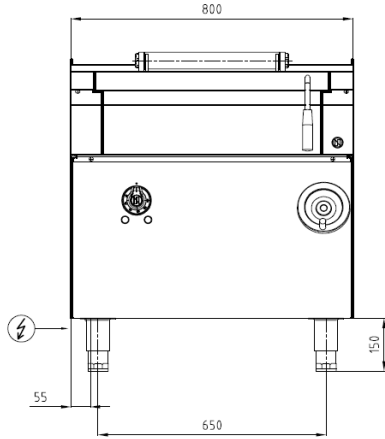
INCLUDED ACCESSORIES

- N/A

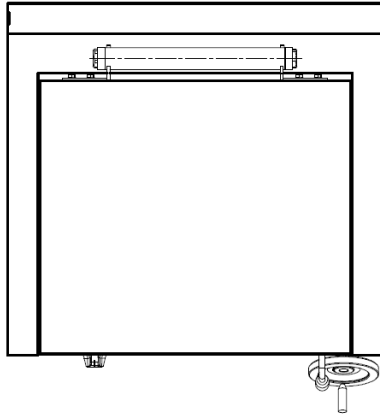
OPTIONAL ACCESSORIES

- Power cable, H07RN-F (5 x 2.5 mm) p/mtr.
- Joint clip ME.

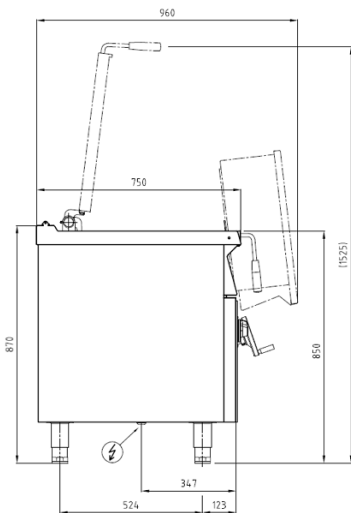
FRONT



TOP



SIDE



*Overall dimension in mm

TECHNICAL DATA

External Dimensions

Width : 800 mm
 Depth : 750 mm
 Height : 850/870 mm

Cooking Surface

Cooking zones : 40 liters, 586 x 425 mm
 Heating zones : 1
 Control type : Modulating temperature control

Electrical Supply Data

Total connected load : 7.8 kW
 Voltage : 400V, 3NPE AC /50-60Hz
 Recommended fuse : 13 A (slow)

Connections

Water : N/A
 Drain : N/A

Heat & Steam Emissions

Direct heat emission : 3.51 kW
 Latent heat emission : 3.12 kW
 Steam emission : 4.59 kg/h

PACKAGING DATA

Width : 830 mm
 Depth : 780 mm
 Height : 990 mm
 Volume : 0.64 m³

WEIGHT

Net Weight : 124 kg
 Gross Weight : 141 kg