

Modular Cooking - Meritus

Electric - Noodle Cooker

NEN 26 AL (ME)



Due to continuous technical development, the image shown may not represent the latest design of the unit.

DESCRIPTION

Modular electric noodle cooker with 750 mm depth, powered with 7.2 kW immersion heater. Equipped with auto-lifting modul to control 6 basket individually.

Two, individually temperature-controlled tanks, made of salt-resistant stainless steel. Each tank with a faucet for tank filling, easy operable from the front panel. Designed for continuous and high-speed cooking of noodles, the perfect choice for any Asian restaurants.

Made of AISI 304 with 1.5 mm top thickness, temperature controlled, noodle tank is welded.

OTHER AVAILABLE MODELS

- NEN 26 (ME)

MAIN FEATURES

- Powered with 6 x 2.3 kW butterfly-shaped rod heating element².
- Capacity up to 20 liters.
- Usable for six noodle baskets with auto-lifting features.
- Six individual timer, one for each baskets. Resettable through two button simultaneous push.
- Manual water filling system with knob integrated on the front panel.
- Thermal-cut off when overheated.

CONSTRUCTION

- External construction entirely with AISI 304.
- Top panel with 1.5 mm thickness. Orbital surface finishing: resistant toward scratches.
- Front panel is constructed of 0.8 mm AISI 304 with satin surface finish.
- Side panel is constructed of 0.8 mm AISI 304 with satin surface finish.
- Adjustable +/- 25 mm AISI leg.
- Nayati connection system between Meritus products on the front panels, cabinets, and splashbacks.
- Cabinet executed with H2 radius.
- Deep drawn front panel to minimize liquid penetration to the internal part.
- Gasket protection behind the knobs to prevent water to seeping in, prolonging main heating regulation parts.
- IPX5 water protection level.

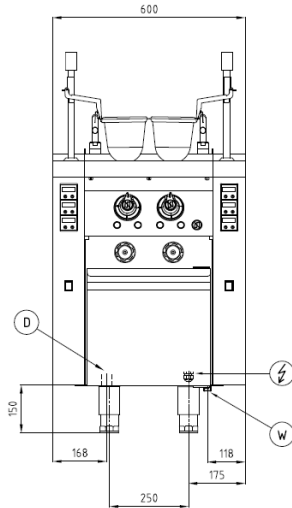
INCLUDED ACCESSORIES

- Noodle basket (6 pcs.).
- Basket holders (6 pcs.).
- Auto-lifting kit.
- Swing door.

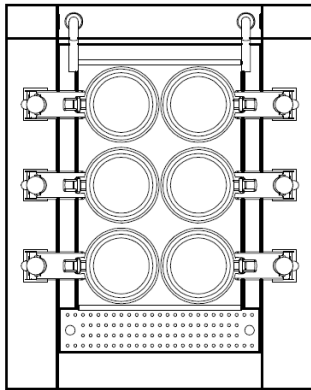
OPTIONAL ACCESSORIES

- Power cable, H07RN-F (5 x 6 mm) p/mtr.
- Joint clip ME.

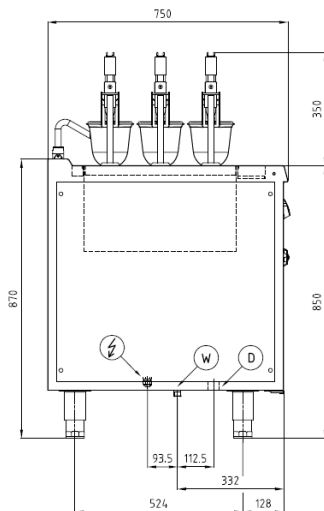
FRONT



TOP



SIDE



*Overall dimension in mm

TECHNICAL DATA

External Dimensions

Width : 600 mm
 Depth : 750 mm
 Height : 850/870 mm

Cooking Surface

Cooking zones : 27 liters, 320 x 475 mm
 Heating zones : 2
 Control type : Modulating temperature control, autolifter: individual timers with reset functionality.

Electrical Supply Data

Total connected load : 13.84 kW
 Voltage : 400V, 3NPE AC /50-60Hz
 Recommended fuse : 6 A (slow)

Connections

Water : DN 15 (1/2")
 Drain : DN 25 (1")

Heat & Steam Emissions

Direct heat emission : 1.73 kW
 Latent heat emission : 2.76 kW
 Steam emission : 4.06 kg/h

PACKAGING DATA

Width : 630 mm
 Depth : 780 mm
 Height : 990 mm
 Volume : 0.49 m³

WEIGHT

Net Weight : 81 kg
 Gross Weight : 102 kg