

## Modular Cooking - Meritus

### Electric - Noodle Cooker

#### NEN 26 (ME)



Due to continuous technical development, the image shown may not represent the latest design of the unit.

#### DESCRIPTION

Modular electric noodle cooker with 750 mm depth, powered with 7.2 kW immersion heater.

Two, individually temperature-controlled tanks, made of salt-resistant stainless steel. Each tank with a faucet for tank filling, easy operable from the front panel. Designed for continuous and high-speed cooking of noodles, the perfect choice for any Asian restaurants.

Made of AISI 304 with 1.5 mm top thickness, temperature controlled, noodle tank is welded.

#### OTHER AVAILABLE MODELS

- NEN 26 AL (ME)

#### MAIN FEATURES

- Powered with 6 x 2.3 kW butterfly-shaped rod heating element<sup>2</sup>.
- Capacity up to 20 liters.
- Usable for six noodle baskets.
- Manual water filling system with knob integrated on the front panel.
- Thermal-cut off when overheated.

#### CONSTRUCTION

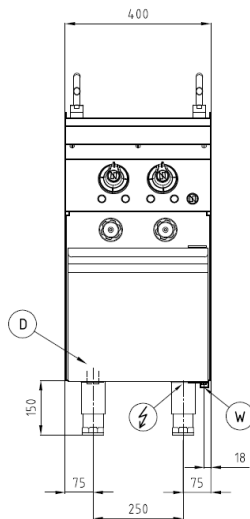
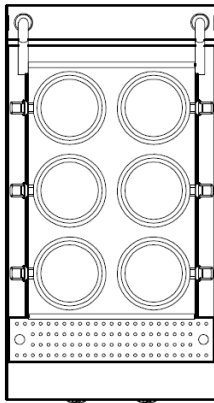
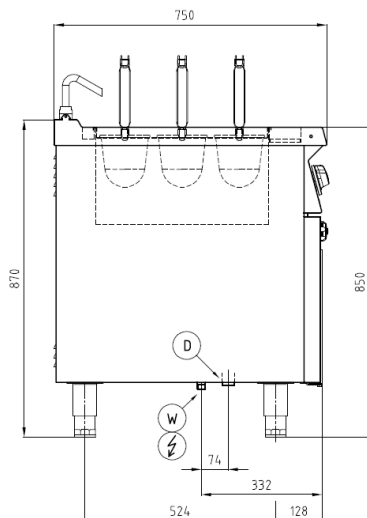
- External construction entirely with AISI 304.
- Top panel with 1.5 mm thickness. Orbital surface finishing: resistant toward scratches.
- Front panel is constructed of 0.8 mm AISI 304 with satin surface finish.
- Side panel is constructed of 0.8 mm AISI 304 with satin surface finish.
- Adjustable +/- 25 mm AISI leg.
- Nayati connection system between Meritus products on the front panels, cabinets, and splashbacks.
- Cabinet executed with H2 radius.
- Deep drawn front panel to minimize liquid penetration to the internal part.
- Gasket protection behind the knobs to prevent water to seeping in, prolonging main heating regulation parts.
- IPX5 water protection level.

#### INCLUDED ACCESSORIES

- Noodle basket (6 pcs.).
- Swing door.

#### OPTIONAL ACCESSORIES

- Power cable, H07RN-F (5 x 6 mm) p/mtr.
- Joint clip ME.

**FRONT****TOP****SIDE**

\*Overall dimension in mm

**TECHNICAL DATA****External Dimensions**

|        |              |
|--------|--------------|
| Width  | : 400 mm     |
| Depth  | : 750 mm     |
| Height | : 850/870 mm |

**Cooking Surface**

|               |                                  |
|---------------|----------------------------------|
| Cooking zones | : 27 liters, 320 x 475 mm        |
| Heating zones | : 2                              |
| Control type  | : Modulating temperature control |

**Electrical Supply Data**

|                      |                          |
|----------------------|--------------------------|
| Total connected load | : 13.8 kW                |
| Voltage              | : 400V, 3NPE AC /50-60Hz |
| Recommended fuse     | : 6 A (slow)             |

**Connections**

|       |                |
|-------|----------------|
| Water | : DN 15 (1/2") |
| Drain | : DN 25 (1")   |

**Heat & Steam Emissions**

|                      |             |
|----------------------|-------------|
| Direct heat emission | : 1.73 kW   |
| Latent heat emission | : 2.76 kW   |
| Steam emission       | : 4.06 kg/h |

**PACKAGING DATA**

|        |                       |
|--------|-----------------------|
| Width  | : 430 mm              |
| Depth  | : 780 mm              |
| Height | : 990 mm              |
| Volume | : 0.33 m <sup>3</sup> |

**WEIGHT**

|              |         |
|--------------|---------|
| Net Weight   | : 53 kg |
| Gross Weight | : 67 kg |