

## Modular Cooking - Meritus

### Electric - Pasta Cooker

#### NEPC 4-75 (ME)



Due to continuous technical development, the image shown may not represent the latest design of the unit.

#### DESCRIPTION

Modular electric pasta cooker with 750 mm depth, pasta tank capacity of 26 liters, powered with 7.2 kW electropolished incoloy heaters. Equipped with swing door.

Usable for cooking pasta and noodle. Can be used as an alternative to warm up food.

Made of AISI 304 with 1.5 mm top thickness, temperature controlled, pasta tank is deep drawn for uncompromised hygiene, the tank and the heaters are made of electropolished AISI 316 for resistance against acidic substance.

#### OTHER AVAILABLE MODELS

- N/A

#### MAIN FEATURES

- Powered with 2 x 3.6 kW electropolished stainless steel heating elements.
- Deep drawn pasta tank with 26 liters capacity is made of electropolished AISI 316 to improve its resistance against acidic substance.
- Manual water filling system with integrated knob on the front panel.
- Thermal-cut off when overheated.

#### CONSTRUCTION

- External construction entirely with AISI 304.
- Top panel with 1.5 mm thickness. Orbital surface finishing: resistant toward scratches.
- Front panel is constructed of 0.8 mm AISI 304 with satin surface finish.
- Side panel is constructed of 0.8 mm AISI 304 with satin surface finish.
- Adjustable +/- 25 mm AISI leg.
- Nayati connection system between Meritus products on the front panels, cabinets, and splashbacks.
- Cabinet executed with H2 radius.
- Deep drawn front panel to minimize liquid penetration to the internal part.
- Gasket protection behind the knobs to prevent water to seeping in, prolonging main heating regulation parts.
- IPX5 water protection level.

#### INCLUDED ACCESSORIES

- Overflow perforated cover.
- Pasta basket stand (basket not included).
- Swing door.

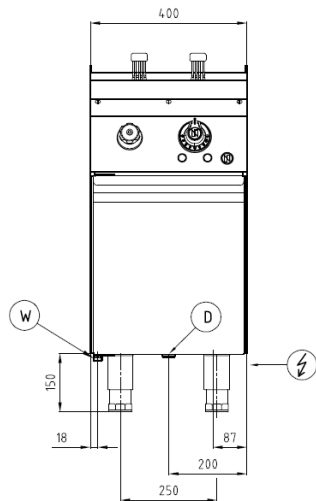
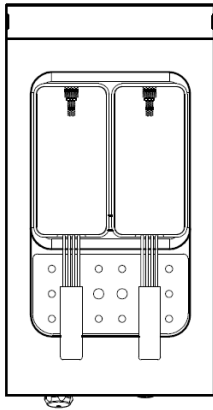
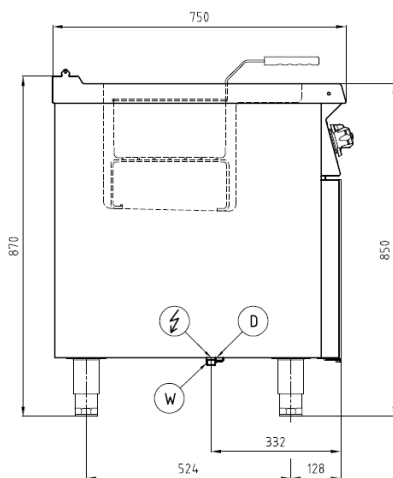
#### OPTIONAL ACCESSORIES

- Power cable, H07RN-F (5 x 6 mm) p/mtr.
- Pasta basket 1/3 - 1 handle.
- Pasta basket 1/3 - 2 handles.
- Joint clip ME.

PT. NAYATI INDONESIA

[www.nayati.com](http://www.nayati.com)

Nayati reserves the right to make product alterations and or price adjustments at any time and can not be held responsible for any printing errors or omissions.

**FRONT****TOP****SIDE**

\*Overall dimension in mm

**TECHNICAL DATA****External Dimensions**

Width	: 400 mm
Depth	: 750 mm
Height	: 850/870 mm

**Cooking Surface**

Cooking zones	: 26 liters, 306 x 340 mm
Heating zones	: 1
Control type	: Modulating temperature control

**Electrical Supply Data**

Total connected load	: 7.2 kW
Voltage	: 400V, 3NPE AC /50-60Hz
Recommended fuse	: 13 A (slow)

**Connections**

Water	: N/A
Drain	: N/A

**Heat & Steam Emissions**

Direct heat emission	: 0.25 kW
Latent heat emission	: 1.4 kW
Steam emission	: 2.1 kg/h

**PACKAGING DATA**

Width	: 430 mm
Depth	: 780 mm
Height	: 990 mm
Volume	: 0.33 m <sup>3</sup>

**WEIGHT**

Net Weight	: 40 kg
Gross Weight	: 58 kg