

## Modular Cooking - Meritus

### Electric - Fryer

#### NEF 4-75 (ME)



Due to continuous technical development, the image shown may not represent the latest design of the unit.

#### DESCRIPTION

Modular electric fryer with 8 kW incoloy heating element. Equipped with swing door.

Usable for deep frying.

Made of AISI 304 with 1.5 mm top thickness, temperature controlled, fully welded fryer tank, includes tank cover, oil drain kit, crumb filter and hook for lifting heater.

#### OTHER AVAILABLE MODELS

- NEF 6-75 (ME)

#### MAIN FEATURES

- Powered with a 8 kW incoloy heaters.
- Oil capacity of 10 liters.
- Heater can be tilted for access of cleaning of the tank.
- Fully welded fryer tank constructed from AISI 304.
- Drain valve with 3/4" on the cabinet provided
- Temperature control from 100 degree Celcius to 190 degree Celcius.
- Thermal-cut off when overheated.

#### CONSTRUCTION

- External construction entirely with AISI 304.
- Top panel with 1.5 mm thickness. Orbital surface finishing: resistant toward scratches.
- Front panel is constructed of 0.8 mm AISI 304 with satin surface finish.
- Side panel is constructed of 0.8 mm AISI 304 with satin surface finish.
- Adjustable +/- 25 mm AISI leg.
- Nayati connection system between Meritus products on the front panels, cabinets, and splashbacks.
- Cabinet executed with H2 radius.
- Deep drawn front panel to minimize liquid penetration to the internal part.
- Gasket protection behind the knobs to prevent water to seeping in, prolonging main heating regulation parts.
- IPX5 water protection level.

#### INCLUDED ACCESSORIES

- 1 x Fryer Basket.
- Crumb filter.
- Oil drain kit and tank cover.
- Swing door.

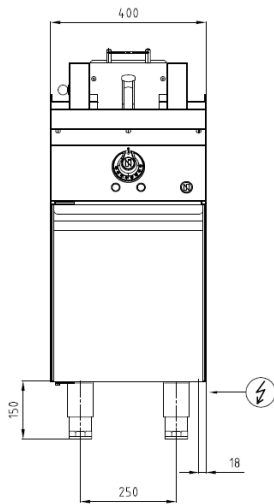
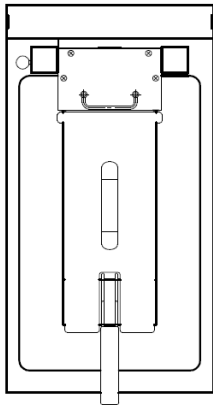
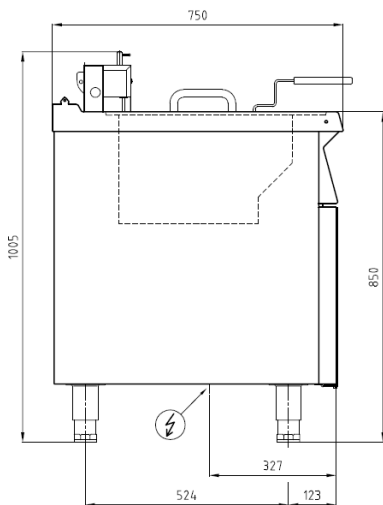
#### OPTIONAL ACCESSORIES

- Power cable, H07RN-F (5 x 6 mm) p/mtr.
- Joint clip ME.

PT. NAYATI INDONESIA

[www.nayati.com](http://www.nayati.com)

Nayati reserves the right to make product alterations and or price adjustments at any time and can not be held responsible for any printing errors or omissions.

**FRONT****TOP****SIDE**

\*Overall dimension in mm

**TECHNICAL DATA****External Dimensions**

Width	: 400 mm
Depth	: 750 mm
Height	: 850/1005 mm

**Cooking Surface**

Cooking zones	: 10 liters, 180 x 447 mm
Heating zones	: 1
Control type	: Modulating temperature control

**Electrical Supply Data**

Total connected load	: 8 kW
Voltage	: 400V, 3NPE AC /50-60Hz
Recommended fuse	: 13 A (slow)

**Connections**

Water	: DN 15 (1/2")
Drain	: DN 25 (1")

**Heat & Steam Emissions**

Direct heat emission	: 0.72 kW
Latent heat emission	: 5.6 kW
Steam emission	: 8.24 kg/h

**PACKAGING DATA**

Width	: 430 mm
Depth	: 780 mm
Height	: 1125 mm
Volume	: 0.38 m <sup>3</sup>

**WEIGHT**

Net Weight	: 50 kg
Gross Weight	: 64 kg