

**Family**  
COOKING EQUIPMENT STAR 60

**Section**  
CERAMIC COOKING RANGES

**Model**  
V67EP

**Code**  
CR0853140

## GLASS CERAMIC HOB WITH 4 COOKING ZONES

S/s glass ceramic hob. Equipped with 4 independent cooking zones: 4 Ø 220 mm zones with 2.5 kW dual circuit output. The cooking zones are marked by silk-screened circles on the glass ceramic surface and equipped with residual heat indicators. Glass ceramic surface 510x546 mm.



### Technical data

|                         |                |                        |            |
|-------------------------|----------------|------------------------|------------|
| Width mm:               | 700            | Internal dim. oven mm: |            |
| Depth mm:               | 600            | Oven capacity:         |            |
| Height mm:              | 295            | Oven power kW:         |            |
| Weight kg.:             | 23.00          | Qty heating zones:     | 4 x 2,5 kW |
| Volume m <sup>3</sup> : | 0.22           | Plate dim. mm:         | 4 x Ø 220  |
| Power supply:           | VAC400-3N 50Hz | Dim. heating zone mm:  | 510x546    |
| Gas power kW:           |                | Qty tank:              |            |
| Electric power kW:      | 10.00          | Tank dim. mm:          |            |
|                         |                | Tank capacity l:       |            |

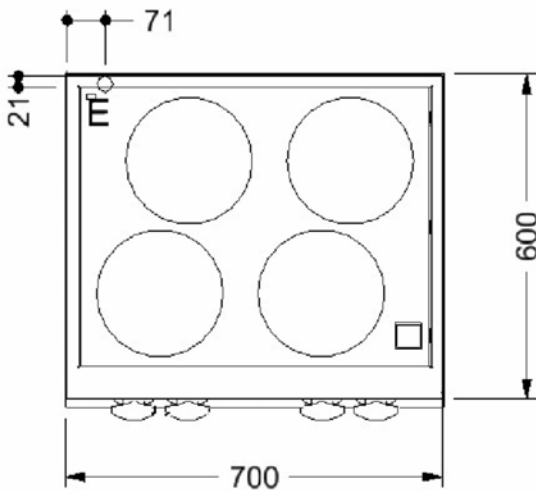
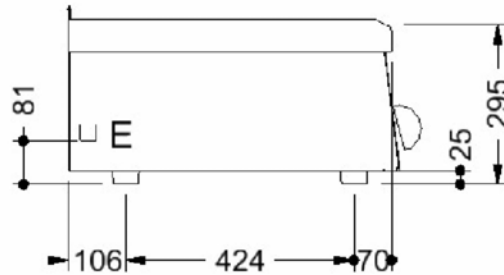
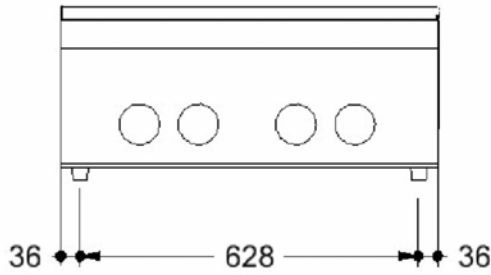
**Family**  
COOKING EQUIPMENT STAR 60

**Section**  
CERAMIC COOKING RANGES

**Model**  
V67EP

**Code**  
CR0853140

**GLASS CERAMIC HOB WITH 4 COOKING ZONES**



**Legend**

(E) Socket 1: Connection supply terminal floor level (+100mm). Spare cable 1500mm

(E) Socket 2:

(G) Gas:

(AD) Softened water:

(AF) Cold water:

(AC) Hot water:

(S) Draining:

(FR) In e out freon:

(V) Steam: