

## Modular Cooking - Grandis

### Electric - Fryer

#### NEF 6-90 GR



Due to continuous technical development, the image shown may not represent the latest design of the unit.

#### DESCRIPTION

Modular electric fryer with 900 mm depth for double basket use and heated with 2 x 13.5 kW incoloy heaters. Equipped with swing door.

Usable for deep frying.

Made of AISI 304 with 2 mm top thickness, temperature controlled, fully welded double fryer tank for two basket with separate oil capacity of 14 liters each, includes tank cover, oil drain kit, crumb filter and hook for lifting heater.

#### OTHER AVAILABLE MODELS

- NEF 8-90 GR
- NEF 4-90 GR

#### MAIN FEATURES

- Powered with 2 x 13.5 kW incoloy heaters.
- Oil capacity of 2 x 14 liters
- Heater can be tilted for access of cleaning of the tank.
- Fully welded fryer tank constructed from AISI 304.
- Drain valve with 3/4" on the cabinet provided
- Temperature control from 100 degree Celcius to 190 degree Celcius.
- Thermal-cut off when overheated.

#### CONSTRUCTION

- External construction entirely with AISI 304.
- Top panel with 2 mm thickness. Orbital surface finishing: resistant toward scratches.
- Front panel is constructed of 1 mm AISI 304 with satin surface finish.
- Side panel is constructed of 0.8 mm AISI 304 with satin surface finish.
- Adjustable +/- 25 mm AISI leg.
- Cabinet executed with H2 radius.
- Connector between Grandis product on the front and the back.
- IPX4 water protection level.

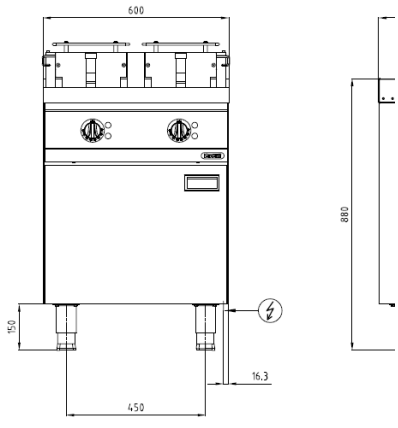
#### INCLUDED ACCESSORIES

- 2 x Fryer Basket.
- Crumb filter.
- Oil drain kit and tank cover.
- Swing door.

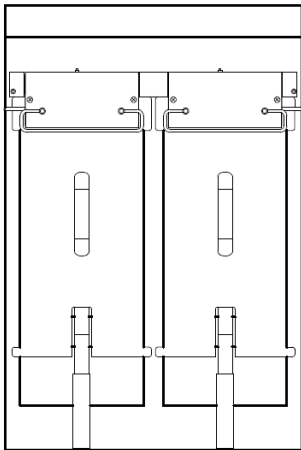
#### OPTIONAL ACCESSORIES

- Joint clip GR.
- Power cable, H07RN-F (5 x 6 mm) p/mtr.

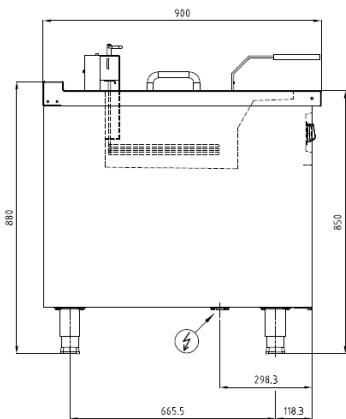
**FRONT**



**TOP**



**SIDE**



\*Overall dimension in mm

**TECHNICAL DATA**

**External Dimensions**

Width : 600 mm  
Depth : 900 mm  
Height : 850/960 mm

**Cooking Surface**

Cooking zones : 2 x 14 liters, 2 x 250 x 430 mm  
Heating zones : 2  
Control type : Modulating temperature control

**Electrical Supply Data**

Total connected load : 27 kW  
Voltage : 400V, 3NPE AC /50-60Hz  
Recommended fuse : 40 A (slow)

**Connections**

Water : N/A  
Drain : N/A

**Heat & Steam Emissions**

Direct heat emission : 2.43 kW  
Latent heat emission : 18.90 kW  
Steam emission : 27.81 kg/h

**PACKAGING DATA**

Width : 630 mm  
Depth : 930 mm  
Height : 1000 mm  
Volume : 0.59 m<sup>3</sup>

**WEIGHT**

Net Weight : 92 kg  
Gross Weight : 106 kg