

Modular Cooking - Meritus

Electric - Wok Induction

NEWI 8-75 (ME)



Due to continuous technical development, the image shown may not represent the latest design of the unit.

DESCRIPTION

Modular electric wok induction with 750 mm depth, powered with 8 kW round induction wok coil with 390 mm diameter.

Usable for wok sauteeing, boiling, simmering and shallow frying.

Made of AISI 304 with 1.5 mm top thickness, power level control, 290 mm diameter wok round coil, 5 mm thick curved tempered glass. Glass is reinforced with wok dome for ease of operation and durability.

OTHER AVAILABLE MODELS

- NEWI 8-75 (ME) SO5

MAIN FEATURES

- Powered with 8 kW round wok coil induction with 390 mm diameter.
- Single wok cooking zone.
- Induction glass of 390 mm diameter with 5 mm thickness.
- Controlled with gradual 5 power level and timer function. Completed with LED indicator.
- Induction generator is cooled with the filter system underneath.
- Thermal-cut off when overheated.

CONSTRUCTION

External construction entirely with AISI 304.

- Top panel with 1.5 mm thickness. Orbital surface finishing: resistant toward scratches.
- Front panel is constructed of 0.8 mm AISI 304 with satin surface finish.
- Side panel is constructed of 0.8 mm AISI 304 with satin surface finish.
- Adjustable +/- 25 mm AISI leg.
- Nayati connection system between Meritus products on the front panels, cabinets, and splashbacks.
- Cabinet executed with H2 radius.
- Deep drawn front panel to minimize liquid penetration to the internal part.
- Gasket protection behind the knobs to prevent water to seeping in, prolonging main heating regulation parts.
- IPX5 water protection level.

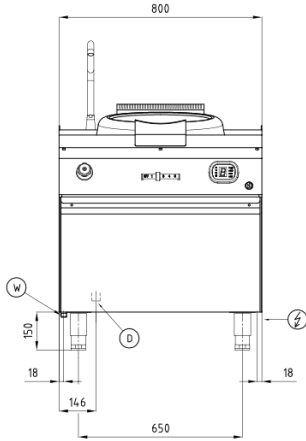
INCLUDED ACCESSORIES

- Wok stand.
- Generator filter.
- Wok made of Stainless Steel 409.

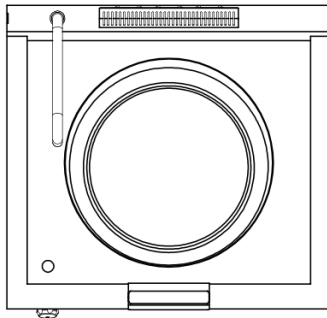
OPTIONAL ACCESSORIES

- Power cable, H07RN-F (5 x 2.5 mm) p/mtr.
- Joint clip ME.

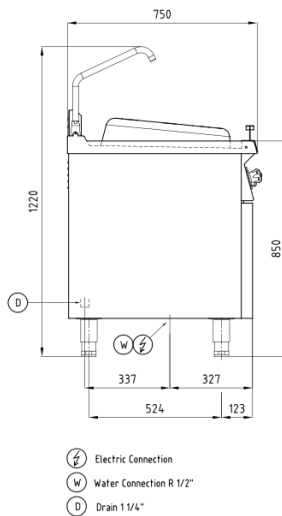
FRONT



TOP



SIDE



- ⚡ Electric Connection
- W Water Connection R 1/2"
- D Drain 1 1/4"

*Overall dimension in mm

TECHNICAL DATA

External Dimensions

Width : 800 mm
 Depth : 750 mm
 Height : 850/1220 mm

Cooking Surface

Cooking zones : Ø 390 mm
 Heating zones : 1
 Control type : Modulating power control

Electrical Supply Data

Total connected load : 8 kW
 Voltage : 400V, 3NPE AC /50-60Hz
 Recommended fuse : 13 A (slow)

Connections

Water : N/A
 Drain : N/A

Heat & Steam Emissions

Direct heat emission : 0.56 kW
 Latent heat emission : 0.22 kW
 Steam emission : 0.33 kg/h

PACKAGING DATA

Width : 830 mm
 Depth : 780 mm
 Height : 990 mm
 Volume : 0.64 m³

WEIGHT

Net Weight : 71 kg
 Gross Weight : 92 kg