

## Modular Cooking - Meritus

### Electric - Flat Induction

#### NEIC 4-75 (ME)



Due to continuous technical development, the image shown may not represent the latest design of the unit.

#### DESCRIPTION

Modular electric induction cooker with 750 mm depth, powered with 2 x 3.5 kW round coil induction with diameter of 180 mm. Equipped with open cabinet.

Usable for boiling, steaming, frying, braising, simmering and steam frying.

Made of AISI 304 with 1.5 mm top thickness, power level control, 180 mm diameter round coil, 6 mm thick tempered glass.

#### OTHER AVAILABLE MODELS

- NEIC 8-75 (ME)

#### MAIN FEATURES

- Powered with 2 x 3.5 kW round coil induction with 180 mm diameter.
- 2 hobs cooking zones.
- Induction glass of 350 x 620 x 6 mm for two induction zones.
- Controlled with gradual 9 power level and timer function. Completed with LED indicator.
- Each cooking zone is equipped with individual generator set.
- Induction generator is cooled with the filter system underneath.
- Thermal-cut off when overheated.
- Minimum pan detection of 18 cm diameter pan/pot.

#### CONSTRUCTION

External construction entirely with AISI 304.

- Top panel with 1.5 mm thickness. Orbital surface finishing: resistant toward scratches.
- Front panel is constructed of 0.8 mm AISI 304 with satin surface finish.
- Side panel is constructed of 0.8 mm AISI 304 with satin surface finish.
- Adjustable +/- 25 mm AISI leg.
- Nayati connection system between Meritus products on the front panels, cabinets, and splashbacks.
- Cabinet executed with H2 radius.
- Deep drawn front panel to minimize liquid penetration to the internal part.
- Gasket protection behind the knobs to prevent water to seeping in, prolonging main heating regulation parts.
- IPX5 water protection level.

#### INCLUDED ACCESSORIES

- Generator filter.

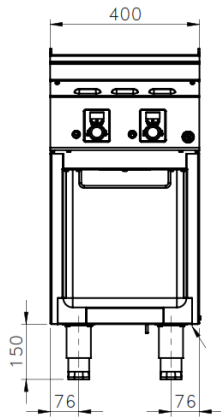
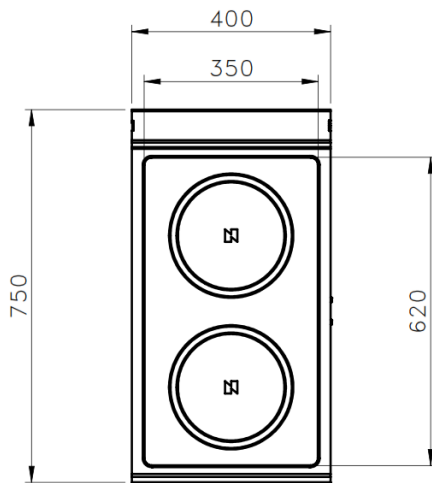
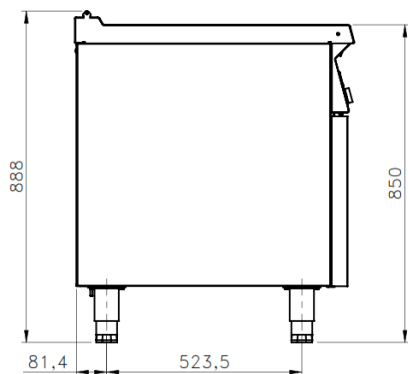
#### OPTIONAL ACCESSORIES

- Power cable, H07RN-F (5 x 2.5 mm) p/mtr.
- Joint clip ME.
- Ferritic Pan.

PT. NAYATI INDONESIA

[www.nayati.com](http://www.nayati.com)

Nayati reserves the right to make product alterations and or price adjustments at any time and can not be held responsible for any printing errors or omissions.

**FRONT****TOP****SIDE**

\*Overall dimension in mm

**TECHNICAL DATA****External Dimensions**

Width	: 400 mm
Depth	: 750 mm
Height	: 850/870 mm

**Cooking Surface**

Cooking zones	: 350 x 620 mm
Heating zones	: 2
Control type	: Modulating power control

**Electrical Supply Data**

Total connected load	: 7 kW
Voltage	: 400V, 2NPE AC /50-60Hz
Recommended fuse	: 16 A (slow)

**Connections**

Water	: N/A
Drain	: N/A

**Heat & Steam Emissions**

Direct heat emission	: 1.4 kW
Latent heat emission	: 0.56 kW
Steam emission	: 0.83 kg/h

**PACKAGING DATA**

Width	: 430 mm
Depth	: 780 mm
Height	: 990 mm
Volume	: 0.33 m <sup>3</sup>

**WEIGHT**

Net Weight	: 45 kg
Gross Weight	: 57 kg