

Family
COOKING EQUIPMENT STAR 60

Section
INDUCTION RANGES

Model
IW64E

Code
CR0853570

INDUCTION TOP WOK COOKER

Electric induction top cooker. Sealed WOK glass ceramic hob, pan detection system which activates heating upon presence of cooking receptacles. AISI 304 s/s appliance. Equipped with 1 cooking zone with 5 kW output. Control knob for selection of 6 power settings. Indicator lights signalling activation of heating and correct appliance operation.



Technical data

Width mm:	400	Internal dim. oven mm:	
Depth mm:	650	Oven capacity:	
Height mm:	295	Oven power kW:	
Weight kg.:	16.00	Qty heating zones:	1 x 5 kW
Volume m ³ :	0.15	Plate dim. mm:	
Power supply:	VAC400-3N 50Hz	Dim. heating zone mm:	
Gas power kW:		Qty tank:	
Electric power kW:	5.00	Tank dim. mm:	
		Tank capacity l:	

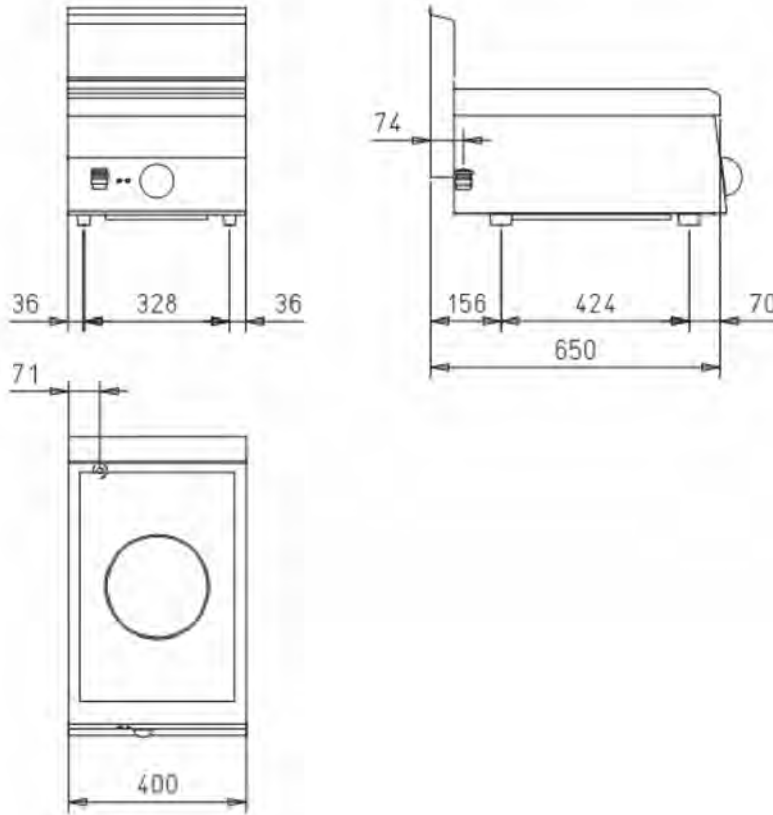
Family
COOKING EQUIPMENT STAR 60

Section
INDUCTION RANGES

Model
IW64E

Code
CR0853570

INDUCTION TOP WOK COOKER



Legend

(E) Socket 1: Connection supply terminal floor level (+100mm). Spare cable 1500mm

(E) Socket 2:

(G) Gas:

(AD) Softened water:

(AF) Cold water:

(AC) Hot water:

(S) Draining:

(FR) In e out freon:

(V) Steam: