

Modular Cooking - Grandis

Gas - Range

NGR 12-90 GR



Due to continuous technical development, the image shown may not represent the latest design of the unit.

DESCRIPTION

Modular gas open burner with 900 mm depth and 6 hobs, 3 sets of 5.5 kW and 10 kW cast iron burners. Static 2/1 GN gas oven with 8 kW tubular burner.

Usable for boiling, steaming, frying, braising, simmering and steam frying. Oven module usable for roasting and baking.

Made of AISI 304 with 2 mm top thickness, manual ignited, fully welded basin for hygiene purpose, galvanized coated cast iron burner. Oven is sized for 2/1 GN with reflective AISI cavity for superior heat transfer.

OTHER AVAILABLE MODELS

- NGR 8-90 GR
- NGTR 12-90 GR
- NGTR 8-90 GR
- NGTR 4-90 GR
- NGR 8-90 DFX EOY GR
- NGR 12-90 DFX EOY GR

MAIN FEATURES

- Powered with a 6 hobs, 3 sets of 5.5 kW and 10 kW cast iron open burner.
- Static 2/1 GN gas oven is powered with 8 kW chrome-plated tubular burner with 2/1 GN cavity and reflective AISI chamber to improve thermal efficiency. Oven is equipped with piezo ignition system with rubber cover.
- Fully-welded basin for hygiene.
- Cast iron pot holder with long fin to support various size of pot or pan.
- Equipped with flame failure device.
- The optimized pan diameter for 5.5 kW burner is between 240-460 mm.
- The optimized pan diameter for 10 kW burner is between 300-500 mm.

CONSTRUCTION

- External construction entirely with AISI 304.
- Top panel with 2 mm thickness. Orbital surface finishing: resistant toward scratches.
- Front panel is constructed of 1 mm AISI 304 with satin surface finish.
- Side panel is constructed of 0.8 mm AISI 304 with satin surface finish.
- Adjustable +/- 25 mm AISI leg.
- Cabinet executed with H2 radius.
- Connector between Grandis product on the front and the back.

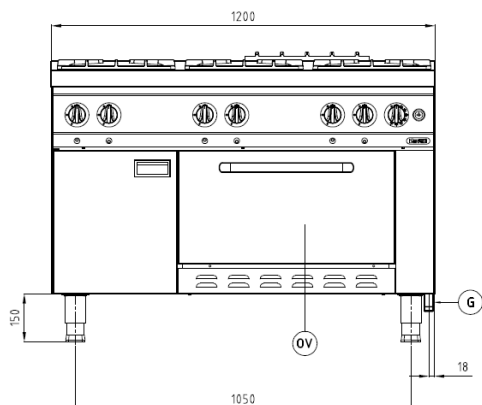
INCLUDED ACCESSORIES

- G20 Conversion Kit
- 2/1 GN oven wire tray (1 pcs.).
- Cast iron pot holder.

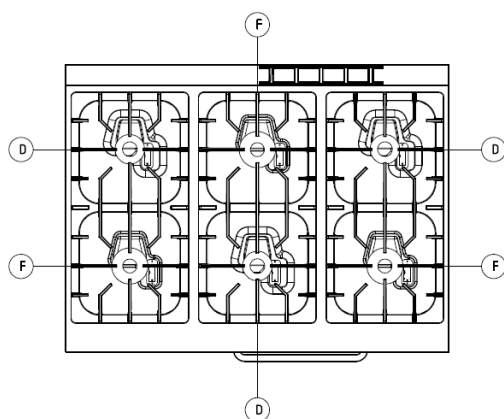
OPTIONAL ACCESSORIES

- Stainless steel pot holder GR.
- Joint clip GR.

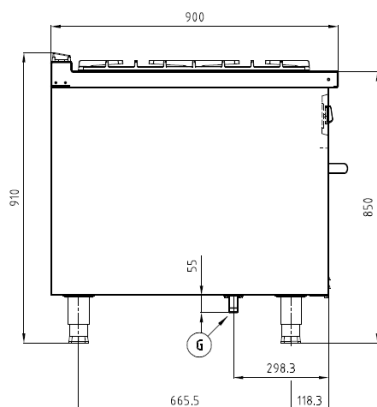
FRONT



TOP



SIDE



*Overall dimension in mm

TECHNICAL DATA

External Dimensions

Width : 1200 mm
Depth : 900 mm
Height : 850/910 mm

Cooking Surface

Cooking zones : Open Burner : 3 x 370 x 725 mm,
Oven : 575 x 666 mm

Gas Power Rating

Heat input total : LPG/Natural Gas 54.5 kW

No. of burners : 7

Control type : Open burner: High - low power control, Oven: Modulating temperature control

Gas type options : LPG G30, G31
Natural Gas G20, G25

Connections

Gas : DN 20 (3/4")

Water : N/A

Drain : N/A

Heat & Steam Emissions

Direct heat emission : 13.05 kW

Latent heat emission : 5.7 kW

Steam emission : 8.37 kg/h

PACKAGING DATA

Width : 1230 mm

Depth : 930 mm

Height : 1030 mm

Volume : 1.18 m³

WEIGHT

Net Weight : 148 kg

Gross Weight : 198 kg