

## Modular Cooking - Meritus

### Gas - Noodle Cooker

#### NGN 16 AL (ME)



Due to continuous technical development, the image shown may not represent the latest design of the unit.

#### DESCRIPTION

Modular gas noodle cooker with 750 mm depth and 16 kW tubular burner. Equipped with programmable auto-lifting features. Equipped with swing door.

Salt-resistant stainless steel tank with a volume of 27 liters and cold water supply with a faucet for tank filling, easy operable from the front panel. Designed for continuous and high-speed cooking of noodles, the NGN 16 is the perfect choice for any Asian restaurants.

Made of AISI 304 with 1.5 mm top thickness, temperature controlled, noodle tank is welded.

#### OTHER AVAILABLE MODELS

- NGN 16 (ME)

#### MAIN FEATURES

- Powered with 16 kW chrome-plated steel fin burner.
- Capacity up to 27 liters.
- Usable for six noodle baskets with auto-lifting features.
- Six individual timer, one for each baskets. Resettable through two button simultaneous push.
- Tank outer surface is coated with special black paint to improve its thermal efficiency.
- Manual water filling system with integrated knob on the front panel.
- Piezzo ignition system with rubber cover.
- Equipped with flame failure device.
- Thermal-cut off when overheated.

#### CONSTRUCTION

- External construction entirely with AISI 304.
- Top panel with 1.5 mm thickness. Orbital surface finishing: resistant toward scratches.
- Front panel is constructed of 0.8 mm AISI 304 with satin surface finish.
- Side panel is constructed of 0.8 mm AISI 304 with satin surface finish.
- Adjustable +/- 25 mm AISI leg.
- Nayati connection system between Meritus products on the front panels, cabinets, and splashbacks.
- Cabinet executed with H2 radius.
- Deep drawn front panel to minimize liquid penetration to the internal part.
- Gasket protection behind the knobs to prevent water to seeping in, prolonging main heating regulation parts.

#### INCLUDED ACCESSORIES

- G20 Conversion Kit
- Noodle basket (6 pcs.).
- Swing door.

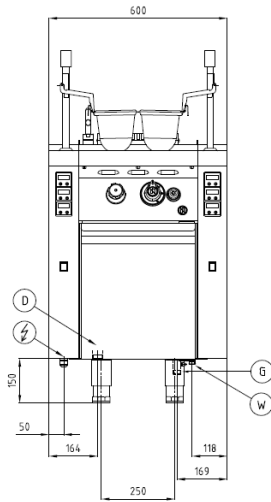
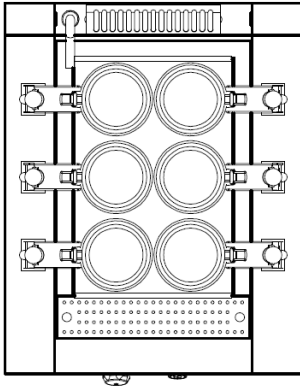
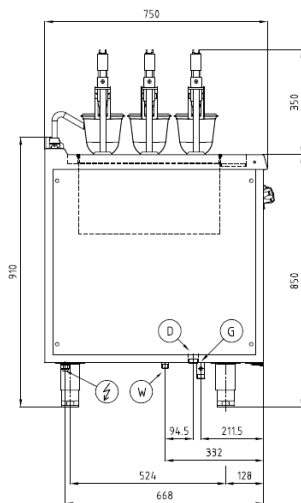
#### OPTIONAL ACCESSORIES

- Extra noodle baskets.
- Joint clip ME.

PT. NAYATI INDONESIA

[www.nayati.com](http://www.nayati.com)

Nayati reserves the right to make product alterations and or price adjustments at any time and can not be held responsible for any printing errors or omissions.

**FRONT****TOP****SIDE**

\*Overall dimension in mm

**TECHNICAL DATA****External Dimensions**

Width	: 600 mm
Depth	: 750 mm
Height	: 850/900 mm

**Cooking Surface**

Cooking zones : 27 liters, 320 x 475 mm

**Gas Power Rating**

Heat input total : LPG/Natural Gas 16 kW

No. of burners : 1

Control type : High-low power control, autolifter:  
individual timers with reset function-  
ality.Gas type options: LPG G30, G31  
Natural Gas G20, G25**Electrical Supply Data**

Total connected load : 0.04 kW

Voltage : 230V, 1NPE AC / 50-60 Hz

Recommended fuse : 6 A (slow)

**Connections**

Gas : DN 20 (3/4")

Water : DN 15 (1/2")

Drain : DN 25 (1")

**Heat & Steam Emissions**

Direct heat emission : LPG/Natural Gas 1.60 kW

Latent heat emission : LPG/Natural Gas 4.80 kW

Steam emission : LPG/Natural Gas 7.05 kg/h

**PACKAGING DATA**

Width : 630 mm

Depth : 780 mm

Height : 1020 mm

Volume : 0.50 m<sup>3</sup>**WEIGHT**

Net Weight : 96 kg

Gross Weight : 112 kg

PT. NAYATI INDONESIA

www.nayati.com

Nayati reserves the right to make product alterations and or price  
adjustments at any time and can not be held responsible for any  
printing errors or omissions.

17/06/2021