

## Modular Cooking - Grandis

### Electric - Hot Plate

#### NEHP 8-90 GR



Due to continuous technical development, the image shown may not represent the latest design of the unit.

#### DESCRIPTION

Modular electric hot plate with 900 mm depth, powered with 4 sets of 4 kW hot plate heaters. Equipped with open cabinet.

Usable for boiling, steaming, frying, braising, simmering and steam frying.

Made of AISI 304 with 2 mm top thickness, equipped with deep drawn collared hot plate element.

#### OTHER AVAILABLE MODELS

- NEHP 12-90 GR
- NEHP 12-90 OV GR
- NEHP 4-90 GR
- NEHP 8-90 OV GR

#### MAIN FEATURES

- Powered with 4 sets of 4 kW hot plate heaters.
- Rectangular hot plate with 300 x 300 mm designed for performance.
- Six levels of heating.
- Collared hot plate for better durability.
- Heating zones are recessed to minimized spillage.

#### CONSTRUCTION

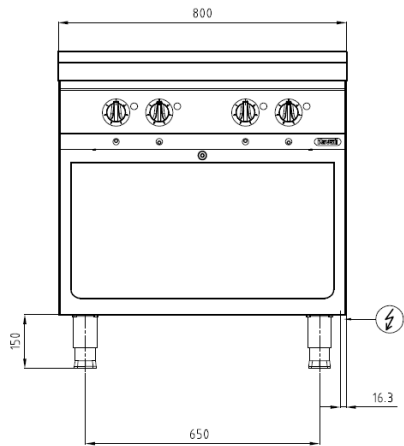
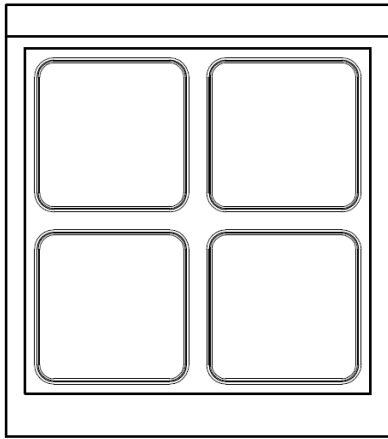
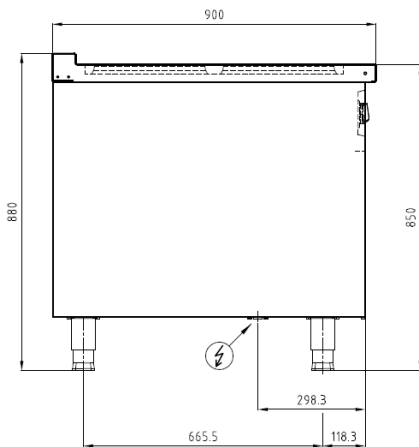
- External construction entirely with AISI 304.
- Top panel with 2 mm thickness. Orbital surface finishing: resistant toward scratches.
- Front panel is constructed of 1 mm AISI 304 with satin surface finish.
- Side panel is constructed of 0.8 mm AISI 304 with satin surface finish.
- Adjustable +/- 25 mm AISI leg.
- Cabinet executed with H2 radius.
- Connector between Grandis product on the front and the back.
- IPX4 water protection level.

#### INCLUDED ACCESSORIES

- N/A

#### OPTIONAL ACCESSORIES

- Joint clip GR.
- Power cable, H07RN-F (5 x 6 mm) p/mtr.
- Swing door 8-90 GR.

**FRONT****TOP****SIDE**

\*Overall dimension in mm

**TECHNICAL DATA****External Dimensions**

Width	: 800 mm
Depth	: 900 mm
Height	: 850/880 mm

**Cooking Surface**

Cooking zones	: 4 x 300 x 300 mm
Heating zones	: 4
Control type	: Modulating power control

**Electrical Supply Data**

Total connected load	: 16 kW
Voltage	: 400V, 3NPE AC /50-60Hz
Recommended fuse	: 25 A (slow)

**Connections**

Water	: N/A
Drain	: N/A

**Heat & Steam Emissions**

Direct heat emission	: 4.16 kW
Latent heat emission	: 1.68 kW
Steam emission	: 2.48 kg/h

**PACKAGING DATA**

Width	: 830 mm
Depth	: 930 mm
Height	: 1000 mm
Volume	: 0.77 m <sup>3</sup>

**WEIGHT**

Net Weight	: 98 kg
Gross Weight	: 127 kg