

Modular Cooking - Grandis

Electric - Hot Plate

NEHP 4-90 GR



Due to continuous technical development, the image shown may not represent the latest design of the unit.

DESCRIPTION

Modular electric hot plate with 900 mm depth, powered with 2 sets of 4 kW hot plate heaters. Equipped with open cabinet.

Usable for boiling, steaming, frying, braising, simmering and steam frying.

Made of AISI 304 with 2 mm top thickness, equipped with deep drawn collared hot plate element.

OTHER AVAILABLE MODELS

- NEHP 12-90 GR
- NEHP 12-90 OV GR
- NEHP 8-90 GR
- NEHP 8-90 OV GR

MAIN FEATURES

- Powered with 2 sets of 4 kW hot plate heaters.
- Rectangular hot plate with 300 x 300 mm designed for performance.
- Six levels of heating.
- Collared hot plate for better durability.
- Heating zones are recessed to minimized spillage.

CONSTRUCTION

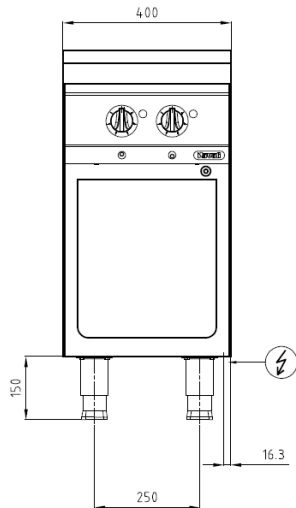
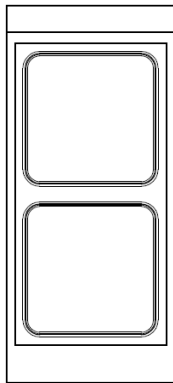
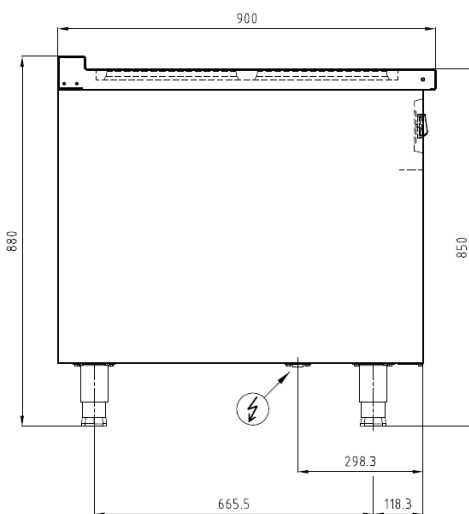
- External construction entirely with AISI 304.
- Top panel with 2 mm thickness. Orbital surface finishing: resistant toward scratches.
- Front panel is constructed of 1 mm AISI 304 with satin surface finish.
- Side panel is constructed of 0.8 mm AISI 304 with satin surface finish.
- Adjustable +/- 25 mm AISI leg.
- Cabinet executed with H2 radius.
- Connector between Grandis product on the front and the back.
- IPX4 water protection level.

INCLUDED ACCESSORIES

- N/A

OPTIONAL ACCESSORIES

- Joint clip GR.
- Power cable, H07RN-F (5 x 2.5 mm) p/mtr.
- Swing door 4-90 GR.

FRONT**TOP****SIDE**

*Overall dimension in mm

TECHNICAL DATA**External Dimensions**

Width	: 400 mm
Depth	: 900 mm
Height	: 850/880 mm

Cooking Surface

Cooking zones	: 2 x 300 x 300 mm
Heating zones	: 2
Control type	: Modulating power control

Electrical Supply Data

Total connected load	: 8 kW
Voltage	: 400V, 3NPE AC /50-60Hz
Recommended fuse	: 13 A (slow)

Connections

Water	: N/A
Drain	: N/A

Heat & Steam Emissions

Direct heat emission	: 2.08 kW
Latent heat emission	: 0.84 kW
Steam emission	: 1.24 kg/h

PACKAGING DATA

Width	: 430 mm
Depth	: 930 mm
Height	: 1000 mm
Volume	: 0.40 m ³

WEIGHT

Net Weight	: 61 kg
Gross Weight	: 75 kg