

## Modular Cooking - Grandis

### Electric - Flat Induction

#### NEIC 8-90 GR



Due to continuous technical development, the image shown may not represent the latest design of the unit.

#### DESCRIPTION

Modular electric induction range with 900 mm depth, powered with 4 sets of 5 kW round induction coil with 220 mm diameter. Equipped with open cabinet.

Usable for boiling, steaming, frying, braising, simmering and steam frying.

Made of AISI 304 with 2 mm top thickness, power level control, 220 mm diameter round coil, 6 mm thick tempered glass.

#### OTHER AVAILABLE MODELS

- NEIC 4-90 GR

#### MAIN FEATURES

- Powered with 4 x 5 kW round coil induction with 220 mm diameter.
- Induction glass of 350 x 620 x 6 mm for two induction zones.
- Controlled with gradual 9 power level and timer function. Completed with LED indicator.
- Each cooking zone is equipped with individual generator set.
- Induction generator is cooled with the filter system underneath.
- Thermal-cut off when overheated.
- Minimum pan detection of 22 cm diameter pan/pot.

#### CONSTRUCTION

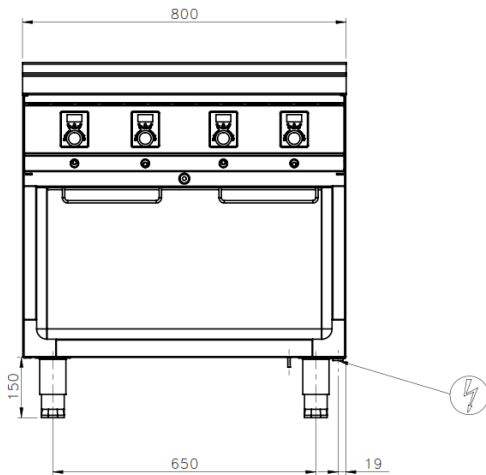
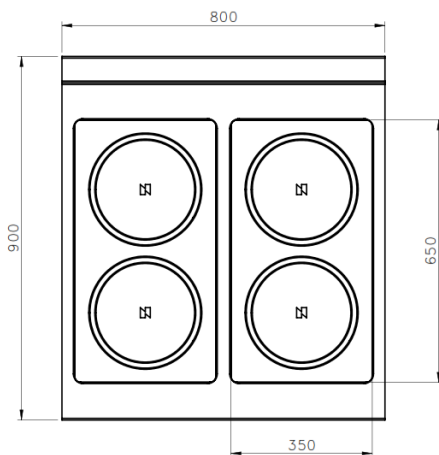
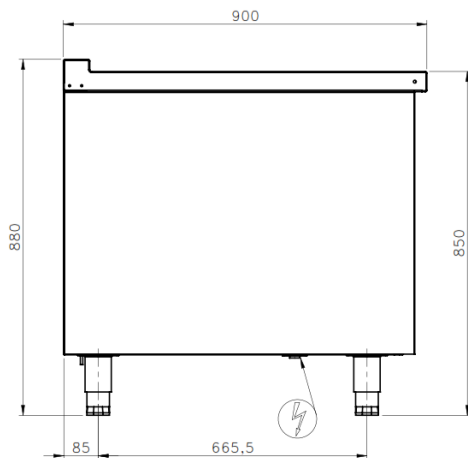
- External construction entirely with AISI 304.
- Top panel with 2 mm thickness. Orbital surface finishing: resistant toward scratches.
- Front panel is constructed of 1 mm AISI 304 with satin surface finish.
- Side panel is constructed of 0.8 mm AISI 304 with satin surface finish.
- Adjustable +/- 25 mm AISI leg.
- Cabinet executed with H2 radius.
- Connector between Grandis product on the front and the back.
- IPX4 water protection level.

#### INCLUDED ACCESSORIES

- Generator filter.

#### OPTIONAL ACCESSORIES

- Joint clip GR.
- Power cable, H07RN-F (5 x 4 mm) p/mtr.

**FRONT****TOP****SIDE**

\*Overall dimension in mm

**TECHNICAL DATA****External Dimensions**

Width	: 800 mm
Depth	: 900 mm
Height	: 850/880 mm

**Cooking Surface**

Cooking zones	: 2 X 350 x 650 mm
Heating zones	: 4
Control type	: Modulating power control

**Electrical Supply Data**

Total connected load	: 20 kW
Voltage	: 400V, 3NPE AC /50-60Hz
Recommended fuse	: 32 A (slow)

**Connections**

Water	: N/A
Drain	: N/A

**Heat & Steam Emissions**

Direct heat emission	: 4 kW
Latent heat emission	: 1.6 kW
Steam emission	: 2.36 kg/h

**PACKAGING DATA**

Width	: 830 mm
Depth	: 930 mm
Height	: 1000 mm
Volume	: 0.77 m <sup>3</sup>

**WEIGHT**

Net Weight	: 99 kg
Gross Weight	: 118 kg