

Modular Cooking - Grandis

Gas - Indirect Boiling Pan

NGBP 150 GR IND



Due to continuous technical development, the image shown may not represent the latest design of the unit.

DESCRIPTION

Modular indirect gas boiling pan with 150 liters capacity and 28 kW tubular burners.

Usable for cooking liquid food, vegetable, starch meal, sauces soups, or acidic dishes.

Made of AISI 304 with 2 mm top thickness, boiling kettle is made of 2 mm thick AISI 316 bottom and 2 mm thick AISI 304 sleeve. Indirectly heated to improve temperature distribution during boiling and prolong lifetime of the kettle.

OTHER AVAILABLE MODELS

- NGBP 100 GR IND

MAIN FEATURES

- Powered with 28 kW chrome-plated tubular burners.
- Indirectly heated with 150 liters capacity. Distilled water is manually filled through the funnel on the front panel.
- Lid is suspended with safe multi-step hinge to prevent operational injury.
- Drain tap outflow made of AISI 304 with 2" diameter and red-colored indicator when opened.
- Front panel includes manometer. Pressure in the kettle jacket is operating below 0.55 bar.
- Piezzo ignition system with rubber cover.
- Equipped with flame failure device.

CONSTRUCTION

- External construction entirely with AISI 304.
- Top panel with 2 mm thickness. Orbital surface finishing: resistant toward scratches.
- Front panel is constructed of 1 mm AISI 304 with satin surface finish.
- Side panel is constructed of 0.8 mm AISI 304 with satin surface finish.
- Adjustable +/- 25 mm AISI leg.
- Cabinet executed with H2 radius.
- Connector between Grandis product on the front and the back.

INCLUDED ACCESSORIES

- G20 Conversion Kit
- Grandis joining clip.

OPTIONAL ACCESSORIES

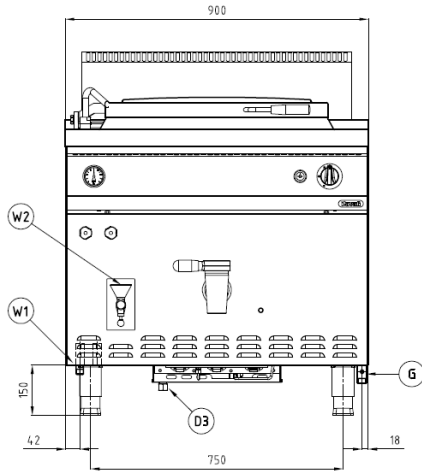
- Joint clip GR.
- Volume-measuring stick.
- Drain tap strainer.

PT. NAYATI INDONESIA

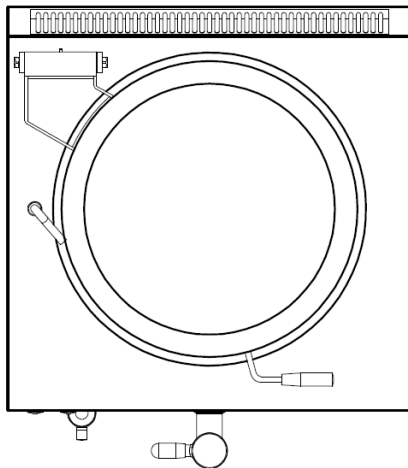
www.nayati.com

Nayati reserves the right to make product alterations and or price adjustments at any time and can not be held responsible for any printing errors or omissions.

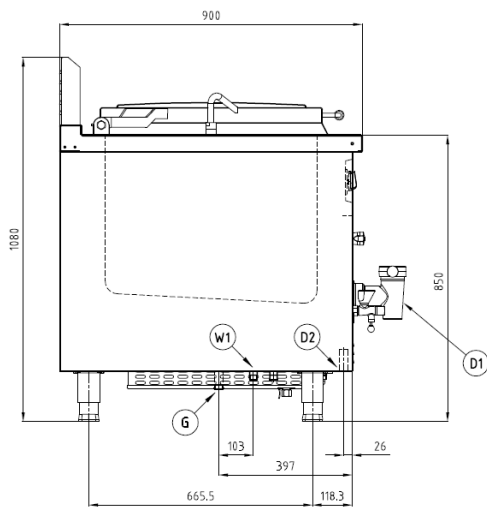
FRONT



TOP



SIDE



*Overall dimension in mm

TECHNICAL DATA

External Dimensions

Width : 900 mm
 Depth : 900 mm
 Height : 850/1080 mm

Cooking Surface

Cooking zones : 150 liters, Ø 630 mm

Gas Power Rating

Heat input total : LPG/Natural Gas 28 kW
 No. of burners : 3
 Control type : High - low power control
 Gas type options : LPG G30, G31
 Natural Gas G20, G25

Connections

Gas : DN 20 (3/4")
 Water : DN 15 (1/2")
 Drain : DN 50 (2")

Heat & Steam Emissions

Direct heat emission : 2.8 kW
 Latent heat emission : 8.4 kW
 Steam emission : 12.34 kg/h

PACKAGING DATA

Width : 930 mm
 Depth : 930 mm
 Height : 1200 mm
 Volume : 1.04 m³

WEIGHT

Net Weight : 154 kg
 Gross Weight : 188 kg