

## Modular Cooking - Grandis

### Gas - Tilting Pan

#### NGTP 120 GR



Due to continuous technical development, the image shown may not represent the latest design of the unit.

#### DESCRIPTION

Modular gas tilting braising pan with 900 mm depth and 120 liters capacity. Powered with 30 kW chrome-plated tubular burners.

Usable for multitude application: boiling, steaming, frying, braising and simmering.

Made of AISI 304 with 2 mm top thickness, griddle is made of 10 mm thick AISI 420, knife steel, that prevent rust and deliver good thermal conductivity. Motorized tilting for ease of operation.

#### OTHER AVAILABLE MODELS

- NGTP 80 GR

#### MAIN FEATURES

- Powered with 30 kW chrome-plated tubular burner.
- Gross capacity of 120 liters and net capacity of 115 liters. Motorized tilting for ease of operation.
- Welded AISI griddle AISI 420 with thickness of 10 mm, preventing rust.
- Temperature control from 100 to 300 degree Celcius.
- Electric ignition system with rubber cover.
- Equipped with flame failure device.

#### CONSTRUCTION

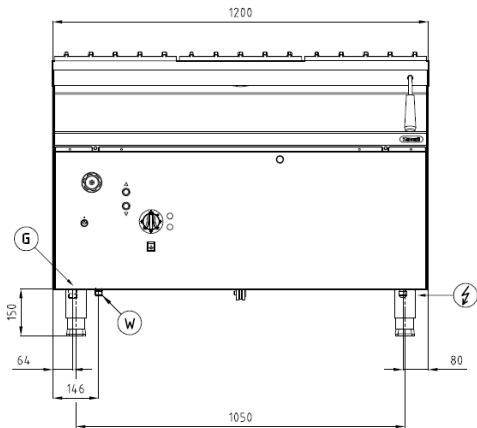
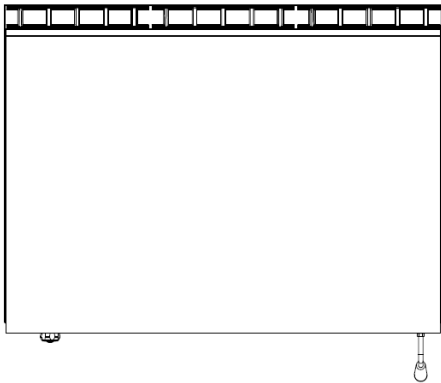
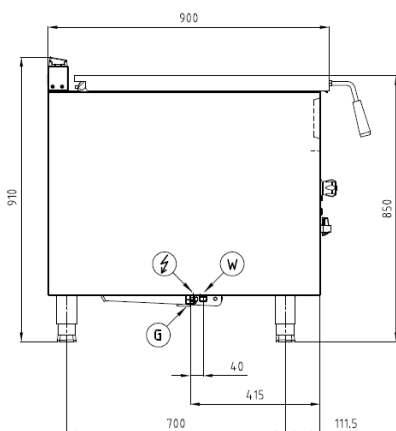
- External construction entirely with AISI 304.
- Top panel with 2 mm thickness. Orbital surface finishing: resistant toward scratches.
- Front panel is constructed of 1 mm AISI 304 with satin surface finish.
- Side panel is constructed of 0.8 mm AISI 304 with satin surface finish.
- Adjustable +/- 25 mm AISI leg.
- Cabinet executed with H2 radius.
- Connector between Grandis product on the front and the back.

#### INCLUDED ACCESSORIES

- G20 Conversion Kit
- Grandis joining clip.

#### OPTIONAL ACCESSORIES

- Joint clip GR.

**FRONT****TOP****SIDE**

\*Overall dimension in mm

**TECHNICAL DATA****External Dimensions**

Width	: 1200 mm
Depth	: 900 mm
Height	: 850/910 mm

**Cooking Surface**

Cooking zones : 115 liters, 1130 x 590 mm

**Gas Power Rating**

Heat input total	: LPG/Natural Gas 30 kW
No. of burners	: 1
Control type	: Modulating temperature control
Gas type options	: LPG G30, G31 Natural Gas G20, G25

**Electrical Supply Data**

Total connected load	: 0.32 kW
Voltage	: 230V, 1NPE AC / 50-60 Hz
Recommended fuse	: 2.5 A (slow)

**Connections**

Gas	: DN 20 (3/4")
Water	: DN 15 (1/2")
Drain	: N/A

**Heat & Steam Emissions**

Direct heat emission	: 13.5 kW
Latent heat emission	: 13.5 kW
Steam emission	: 18.9 kg/h

**PACKAGING DATA**

Width	: 1230 mm
Depth	: 930 mm
Height	: 1030 mm
Volume	: 1.18 m <sup>3</sup>

**WEIGHT**

Net Weight	: 224 kg
Gross Weight	: 278 kg