

**Family**  
COOKING EQUIPMENT STAR 60

**Section**  
INDUCTION RANGES

**Model**  
I67E

**Code**  
CR0853180

## 2 ZONE INDUCTION TOP COOKER

Single-body electric induction cooker. Sealed 6 mm thick glass ceramic hob, pan detection system which activates heating upon presence of cooking receptacles. AISI 304 s/s appliance. Equipped with 2 independent cooking zones with 5 kW output, Ø 220 mm. Cooking zones marked with silk-screened circles on the glass ceramic surface. Control knob for selection of 6 power settings. Indicator lights signalling activation of heating and correct appliance operation.



### Technical data

Width mm:	700	Internal dim. oven mm:	
Depth mm:	650	Oven capacity:	
Height mm:	295	Oven power kW:	
Weight kg.:	22.00	Qty heating zones:	2 x 5 kW
Volume m <sup>3</sup> :	0.22	Plate dim. mm:	2 x Ø 220
Power supply:	VAC400-3N 50Hz	Dim. heating zone mm:	
Gas power kW:		Qty tank:	
Electric power kW:	10.00	Tank dim. mm:	
		Tank capacity l:	

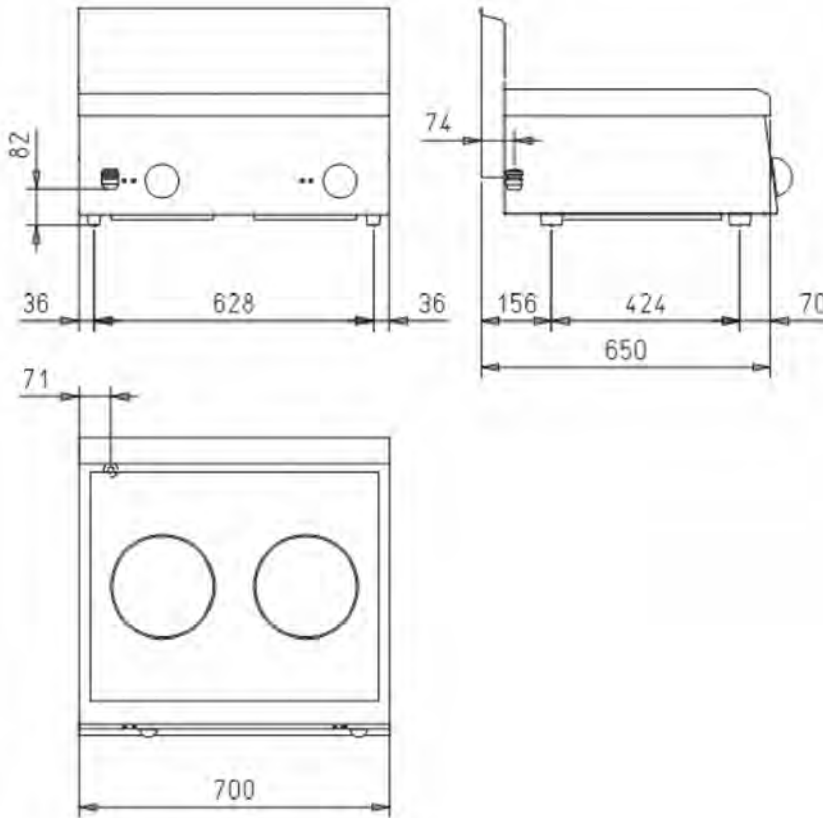
**Family**  
COOKING EQUIPMENT STAR 60

**Section**  
INDUCTION RANGES

**Model**  
I67E

**Code**  
CR0853180

**2 ZONE INDUCTION TOP COOKER**



**Legend**

(E) Socket 1: Connection supply terminal floor level (+100mm). Spare cable 1500mm

(E) Socket 2:

(G) Gas:

(AD) Softened water:

(AF) Cold water:

(AC) Hot water:

(S) Draining:

(FR) In e out freon:

(V) Steam: