

**Family**  
COOKING EQUIPMENT STAR 60

**Section**  
ELECTRIC BRATT PANS

**Model**  
VB64E  
**Code**  
CR0853460

## ELECTRIC MULTI-PURPOSE APPLIANCE

S/s electric multi-purpose appliance. Rectangular 13-litre steel tank with s/s reflective bottom. One cooking zone. Heated by armoured heating elements underneath the tank. Thermostat for temperature adjustment from 50°C to 300°C. Indicator light signalling correct appliance operation. Appliance equipped with s/s height-adjustable feet.



### Technical data

Width mm:	400	Internal dim. oven mm:	
Depth mm:	600	Oven capacity:	
Height mm:	870	Oven power kW:	
Weight kg.:	50.00	Qty heating zones:	1
Volume m <sup>3</sup> :	0.32	Plate dim. mm:	
Power supply:	VAC400-3N 50Hz	Dim. heating zone mm:	
Gas power kW:		Qty tank:	1
Electric power kW:	4.05	Tank dim. mm:	320x480x90h,
		Tank capacity l:	13

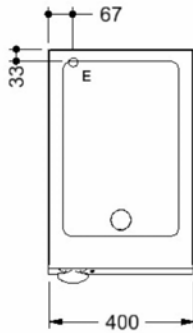
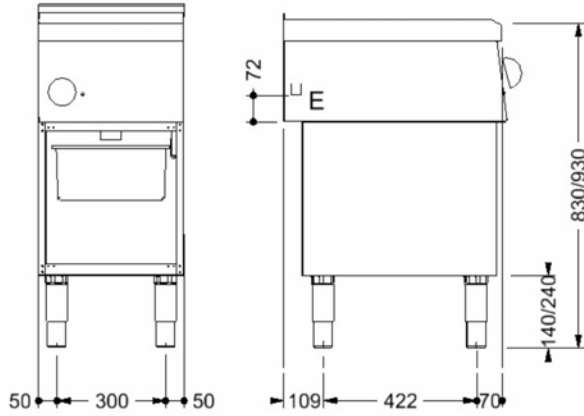
**Family**  
COOKING EQUIPMENT STAR 60

**Section**  
ELECTRIC BRATT PANS

**Model**  
VB64E

**Code**  
CR0853460

**ELECTRIC MULTI-PURPOSE APPLIANCE**



**Legend**

(E) Socket 1: Connection supply terminal floor level (+100mm). Spare cable 1500mm

(E) Socket 2:

(G) Gas:

(AD) Softened water:

(AF) Cold water:

(AC) Hot water:

(S) Draining:

(FR) In e out freon:

(V) Steam: