

Modular Cooking - Grandis

Gas - Pasta Cooker

NGPC 4-90 GR



Due to continuous technical development, the image shown may not represent the latest design of the unit.

DESCRIPTION

Modular gas pasta cooker with 11.5 kW tubular burner. Equipped with swing door.

Usable for cooking pasta and noodle. Can be used as an alternative to warm up food.

Made of AISI 304 with 2 mm top thickness, pasta tank is deep drawn for uncompromised hygiene, the tank is made of electropolished AISI 316 for resistance against acidic substance, the tank outer surface is black-painted with special substance to improve its thermal efficiency.

OTHER AVAILABLE MODELS

- N/A

MAIN FEATURES

- Powered with 11.5 kW tubular burner.
- Deep drawn pasta tank with 40 liters capacity is made of electropolished AISI 316 to improve its resistance against acidic substance.
- Tank outer surface is coated with special black paint to improve its thermal efficiency.
- Manual water filling system with integrated knob on the front panel.
- Piezzo ignition system with rubber cover.
- Equipped with flame failure device.
- Thermal-cut off when overheated.

CONSTRUCTION

- External construction entirely with AISI 304.
- Top panel with 2 mm thickness. Orbital surface finishing: resistant toward scratches.
- Front panel is constructed of 1 mm AISI 304 with satin surface finish.
- Side panel is constructed of 0.8 mm AISI 304 with satin surface finish.
- Adjustable +/- 25 mm AISI leg.
- Cabinet executed with H2 radius.
- Connector between Grandis product on the front and the back.

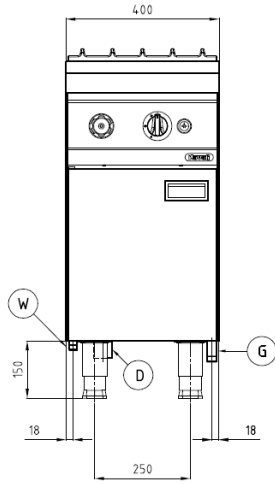
INCLUDED ACCESSORIES

- G20 Conversion Kit
- Pasta basket holder.
- Overflow perforated cover.
- Swing door.

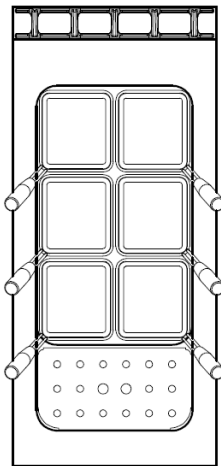
OPTIONAL ACCESSORIES

- Joint clip GR.
- Pasta basket 1/3 - 1 handle.
- Pasta basket 1/3 - 2 handles.

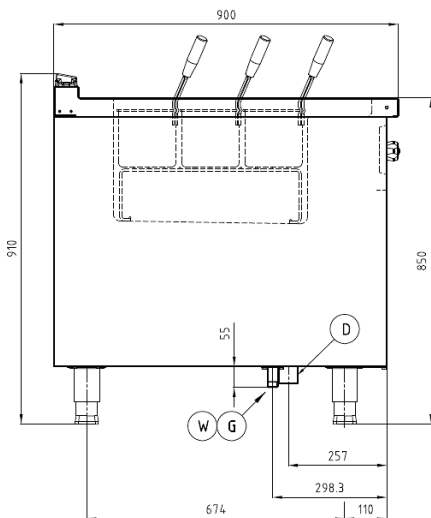
FRONT



TOP



SIDE



*Overall dimension in mm

TECHNICAL DATA

External Dimensions

Width : 400 mm
 Depth : 900 mm
 Height : 850/910 mm

Cooking Surface

Cooking zones : 40 liters, 308 x 510 mm

Gas Power Rating

Heat input total : LPG/Natural Gas 11.5 kW
 No. of burners : 1
 Control type : High - low power control
 Gas type options : LPG G30, G31
 Natural Gas G20, G25

Connections

Gas : DN 20 (3/4")
 Water : DN 15 (1/2")
 Drain : N/A

Heat & Steam Emissions

Direct heat emission : 1.15 kW
 Latent heat emission : 3.45 kW
 Steam emission : 5.07 kg/h

PACKAGING DATA

Width : 430 mm
 Depth : 930 mm
 Height : 1030 mm
 Volume : 0.41 m³

WEIGHT

Net Weight : 66 kg
 Gross Weight : 81 kg