

Modular Cooking - Grandis

Gas - Hot Top

NGHT 12-90 2OB OC GR



Due to continuous technical development, the image shown may not represent the latest design of the unit.

DESCRIPTION

Modular gas hot top with 900 mm depth and hot top with 14 kW tubular burner and open burner with 2 hobs, a set of 5.5 kW and 10 kW cast iron burners. Equipped with open cabinet.

Usable for boiling, steaming, frying, braising, simmering and steam frying.

Made of AISI 304 with 2 mm top thickness, griddle is made of Molybdenum steel (16Mo5) with 18 mm thickness, powered with circular cast iron burner that heats up the hot top in concentric distribution. Central temperature can reach up to 550 degree Celcius.

OTHER AVAILABLE MODELS

- NGHT 12-90 2 OB OV GR
- NGHT 12-90 SD GR
- NGHT 8-90 OV GR
- NGHT 8-90 OC GR
- NGHT 8-90 SD GR

MAIN FEATURES

- Powered with 14 kW circular cast iron burner.
- Open burner is powered with a 5.5 kW and 10 kW cast iron open burner
- Hot top griddle is made of 18 mm thick Molybdenum steel for high thermal performance.
- Concentric heat distribution. Center temperature can reach up to 550 degree Celcius. Griddle center can be removed for service, usable for wok cooking.
- Piezzo ignition system with rubber cover.
- Equipped with flame failure device.

CONSTRUCTION

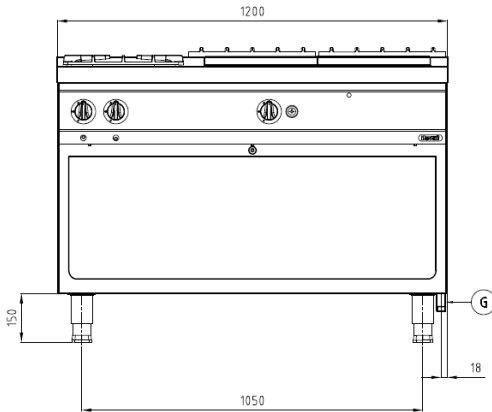
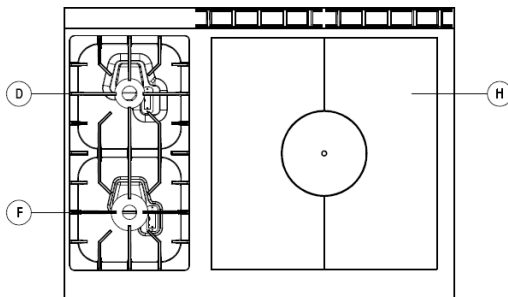
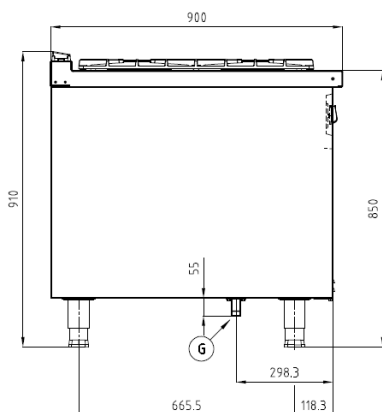
- External construction entirely with AISI 304.
- Top panel with 2 mm thickness. Orbital surface finishing: resistant toward scratches.
- Front panel is constructed of 1 mm AISI 304 with satin surface finish.
- Side panel is constructed of 0.8 mm AISI 304 with satin surface finish.
- Adjustable +/- 25 mm AISI leg.
- Cabinet executed with H2 radius.
- Connector between Grandis product on the front and the back.

INCLUDED ACCESSORIES

- G20 Conversion Kit
- SS Hook to remove griddle inner plate.

OPTIONAL ACCESSORIES

- Joint clip GR.
- Swing door 12-90 GR.

FRONT**TOP****SIDE**

*Overall dimension in mm

TECHNICAL DATA**External Dimensions**

Width	: 1200 mm
Depth	: 900 mm
Height	: 850/910 mm

Cooking Surface

Cooking zones	: 694 x 715 mm
---------------	----------------

Gas Power Rating

Heat input total	: LPG/Natural Gas 29 kW
No. of burners	: 1
Control type	: Hot Top: High - low power control, Oven: Modulating temperature control

Gas type options	: LPG G30, G31 Natural Gas G20, G25
------------------	--

Connections

Gas	: DN 20 (3/4")
Water	: N/A
Drain	: N/A

Heat & Steam Emissions

Direct heat emission	: 8.07 kW
Latent heat emission	: 3.23 kW
Steam emission	: 4.73 kg/h

PACKAGING DATA

Width	: 1230 mm
Depth	: 930 mm
Height	: 1030 mm
Volume	: 1.18 m ³

WEIGHT

Net Weight	: 165 kg
Gross Weight	: 194 kg