

Modular Cooking - Grandis

Gas - Fry Top

NGFT 8-90 G GR



Due to continuous technical development, the image shown may not represent the latest design of the unit.

DESCRIPTION

Modular gas fry top with 900 mm depth and 16 kW chrome-plated tubular burners. Equipped with open cabinet.

Usable for contact grilling and starch cooking.

Made of AISI 304 with 2 mm top thickness, griddle is made of 20 mm thick AISI 420, knife steel, that prevent rust and deliver good thermal conductivity.

OTHER AVAILABLE MODELS

- NGFT 6-90 S GR
- NGFT 6-90 G GR
- NGFT 6-90 C GR
- NGFT 8-90 S GR
- NGFT 8-90 C GR
- NGFT 8-90 OV GR

MAIN FEATURES

- Powered with 16 kW chrome-plated steel tubular burner.
- Grooved griddle surface with 650 x 635 mm cooking area.
- Removable flush griddle constructed of AISI 420 with thickness of 20 mm, preventing rust.
- Obround drain with oil collection drawer included.
- Piezzo ignition system with rubber cover.
- Thermal-cut off when overheated.
- Equipped with flame failure device.

CONSTRUCTION

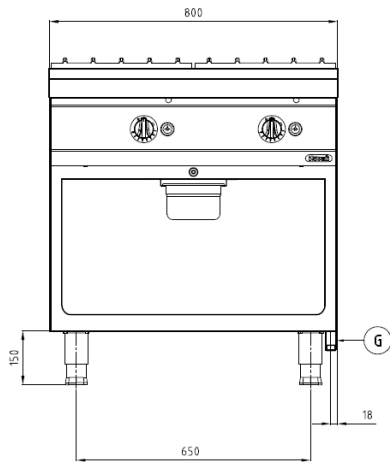
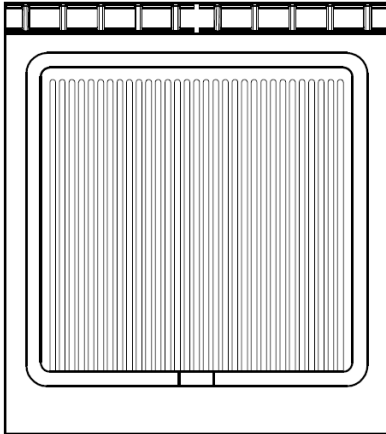
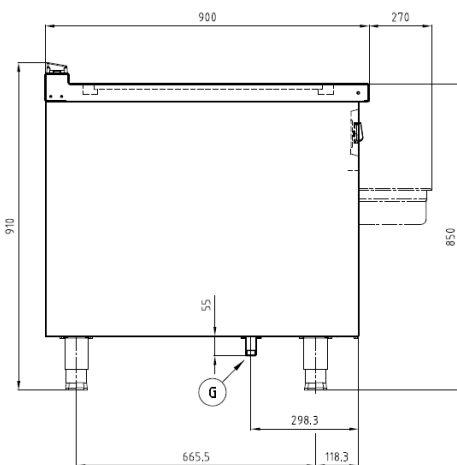
- External construction entirely with AISI 304.
- Top panel with 2 mm thickness. Orbital surface finishing: resistant toward scratches.
- Front panel is constructed of 1 mm AISI 304 with satin surface finish.
- Side panel is constructed of 0.8 mm AISI 304 with satin surface finish.
- Adjustable +/- 25 mm AISI leg.
- Cabinet executed with H2 radius.
- Connector between Grandis product on the front and the back.

INCLUDED ACCESSORIES

- G20 Conversion Kit
- 1/3 GN food pan for grease waste.

OPTIONAL ACCESSORIES

- Joint clip GR.
- Swing door 8-90 GR.

FRONT**TOP****SIDE**

*Overall dimension in mm

TECHNICAL DATA**External Dimensions**

Width	: 800 mm
Depth	: 900 mm
Height	: 850/910 mm

Cooking Surface

Cooking zones	: 650 x 635 mm
---------------	----------------

Gas Power Rating

Heat input total	: LPG/Natural Gas 16 kW
No. of burners	: 2
Control type	: Modulating power control
Gas type options	: LPG G30, G31 Natural Gas G20, G25

Connections

Gas	: DN 20 (3/4")
Water	: N/A
Drain	: N/A

Heat & Steam Emissions

Direct heat emission	: 5.60 kW
Latent heat emission	: 6.40 kW
Steam emission	: 9.41 kg/h

PACKAGING DATA

Width	: 830 mm
Depth	: 930 mm
Height	: 1030 mm
Volume	: 0.80 m ³

WEIGHT

Net Weight	: 136 kg
Gross Weight	: 155 kg