

Modular Cooking - Grandis

Gas - Fry Top

NGFT 8-90 S GR



Due to continuous technical development, the image shown may not represent the latest design of the unit.

DESCRIPTION

Modular gas fry top with 900 mm depth and 16 kW chrome-plated tubular burners. Equipped with open cabinet.

Usable for contact grilling and starch cooking.

Made of AISI 304 with 2 mm top thickness, griddle is made of 20 mm thick AISI 420, knife steel, that prevent rust and deliver good thermal conductivity.

OTHER AVAILABLE MODELS

- NGFT 6-90 S GR
- NGFT 6-90 G GR
- NGFT 6-90 C GR
- NGFT 8-90 G GR
- NGFT 8-90 C GR
- NGFT 8-90 OV GR

MAIN FEATURES

- Powered with 16 kW chrome-plated steel tubular burner.
- Smooth griddle surface with 650 x 635 mm cooking area.
- Removable flush griddle constructed of AISI 420 with thickness of 20 mm, preventing rust.
- Obround drain with oil collection drawer included.
- Piezzo ignition system with rubber cover.
- Thermal-cut off when overheated.
- Equipped with flame failure device.

CONSTRUCTION

- External construction entirely with AISI 304.
- Top panel with 2 mm thickness. Orbital surface finishing: resistant toward scratches.
- Front panel is constructed of 1 mm AISI 304 with satin surface finish.
- Side panel is constructed of 0.8 mm AISI 304 with satin surface finish.
- Adjustable +/- 25 mm AISI leg.
- Cabinet executed with H2 radius.
- Connector between Grandis product on the front and the back.

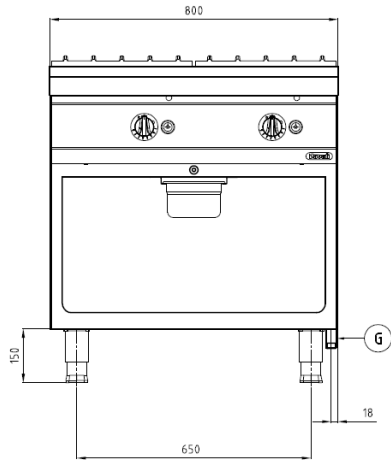
INCLUDED ACCESSORIES

- G20 Conversion Kit
- 1/3 GN food pan for grease waste.

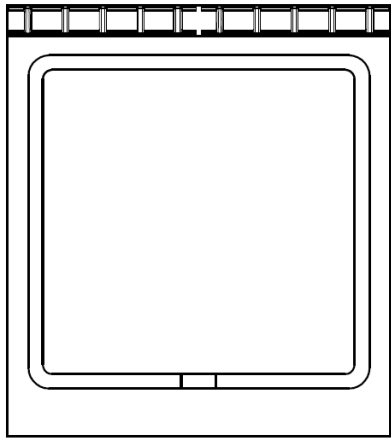
OPTIONAL ACCESSORIES

- Joint clip GR.
- Swing door 8-90 GR.

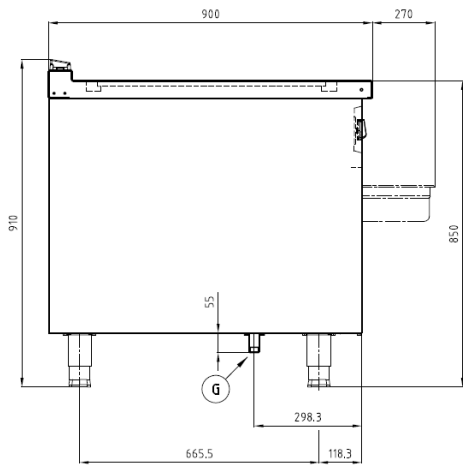
FRONT



TOP



SIDE



*Overall dimension in mm

TECHNICAL DATA

External Dimensions

Width : 800 mm
 Depth : 900 mm
 Height : 850/910 mm

Cooking Surface

Cooking zones : 650 x 635 mm

Gas Power Rating

Heat input total : LPG/Natural Gas 16 kW
 No. of burners : 2
 Control type : Modulating power control
 Gas type options : LPG G30, G31
 Natural Gas G20, G25

Connections

Gas : DN 20 (3/4")
 Water : N/A
 Drain : N/A

Heat & Steam Emissions

Direct heat emission : 5.60 kW
 Latent heat emission : 6.40 kW
 Steam emission : 9.41 kg/h

PACKAGING DATA

Width : 830 mm
 Depth : 930 mm
 Height : 1030 mm
 Volume : 0.80 m³

WEIGHT

Net Weight : 136 kg
 Gross Weight : 155 kg