

Family
COOKING EQUIPMENT STAR 60

Section
INDUCTION RANGES

Model
I64E
Code
CR0853170

1 ZONE INDUCTION TOP COOKER

Electric induction top cooker. Sealed 6 mm thick glass ceramic hob, pan detection system which activates heating upon presence of cooking receptacles. AISI 304 s/s appliance. Equipped with 1 cooking zone with 5 kW output, Ø 220 mm. Cooking zone marked with silk-screened circles on the glass ceramic surface. Control knob for selection of 6 power settings. Indicator lights signalling activation of heating and correct appliance operation.



Technical data

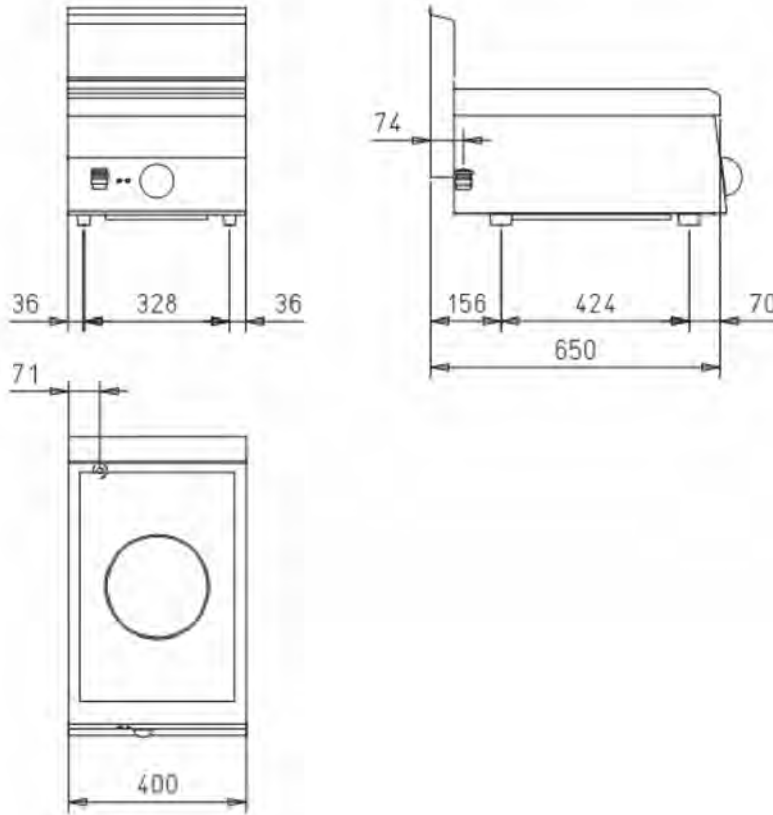
Width mm:	400	Internal dim. oven mm:	
Depth mm:	650	Oven capacity:	
Height mm:	295	Oven power kW:	
Weight kg.:	16.00	Qty heating zones:	1 x 5 kW
Volume m ³ :	0.15	Plate dim. mm:	1 x Ø 220
Power supply:	VAC400-3N 50Hz	Dim. heating zone mm:	
Gas power kW:		Qty tank:	
Electric power kW:	5.00	Tank dim. mm:	
		Tank capacity l:	

Family
COOKING EQUIPMENT STAR 60

Section
INDUCTION RANGES

Model
I64E
Code
CR0853170

1 ZONE INDUCTION TOP COOKER



Legend

(E) Socket 1: Connection supply terminal floor level (+100mm). Spare cable 1500mm

(E) Socket 2:

(G) Gas:

(AD) Softened water:

(AF) Cold water:

(AC) Hot water:

(S) Draining:

(FR) In e out freon:

(V) Steam: